

# TERMO PROFIL

Y O U R • W I N D O W • T O • T H E • W O R L D

**PRODUCER OF WINDOWS AND DOORS**  
PVC CATALOGUE







# TERMO PROFIL

PRODUCER • OF • WINDOWS • AND • DOORS

The company Termo Profil has been specializing in production and distribution of PVC and aluminium windows and doors since 1992.

What makes us unique is a wealth of experience as well as high product quality. We cooperate with the best - the components for our windows and doors are delivered by major European companies.

Our products are certified as compliant with European norms.

We introduce new technologies and encourage sustainable development, while investing in new production lines.

We supply our products into the Italian, Spanish, French, German, Czech, Slovak, and many other markets in Europe and worldwide.

---

Visit our website: [www.termoprofil.eu](http://www.termoprofil.eu)  
and join us on **Facebook**.



# WINDOWS

**Installation depth** is one of the parameters that influence the thermal insulation of windows. The greater the installation depth, the better insulated the window. Our offer encompasses 73 to 82 mm deep profiles.

---

**The number and size of chambers** in the window profile influences considerably the thermal parameters of a window. We recommend to you windows with 6 or 5 chambers.

---

**Overall heat transfer coefficient  $U_w$**  expresses the thermal insulation rate of a profile. The  $U_w$ -factor determines heat losses at a constant temperature difference between inside and outside. The lower the  $U_w$ -value, the warmer the window.

---

**Gaskets** are used to make windows watertight, prevent heat losses and reduce noise.

We offer **MD windows (with 3 seals)** and **AD windows (with 2 seals)**.

MD products, apart from the stopper gasket and the glazing gasket, have an additional central gasket, which improves thermal insulation and reduces noise.

---

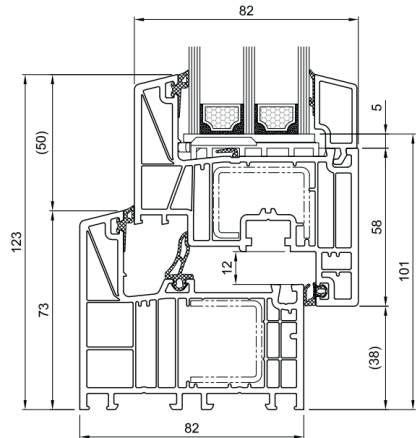
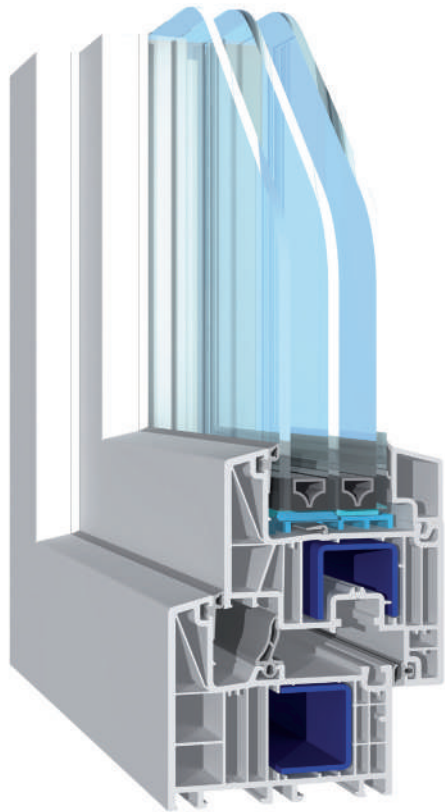
**Class A** - is the highest profile class, characterized by at least 2,8 mm thick external walls, i.e. thicker than in other profiles.



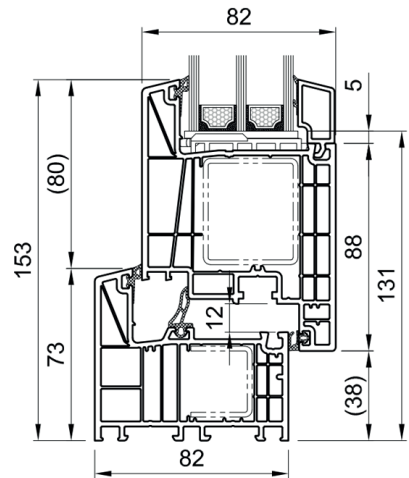


# System Bluevolution 82

## Collection CLASSIC MD

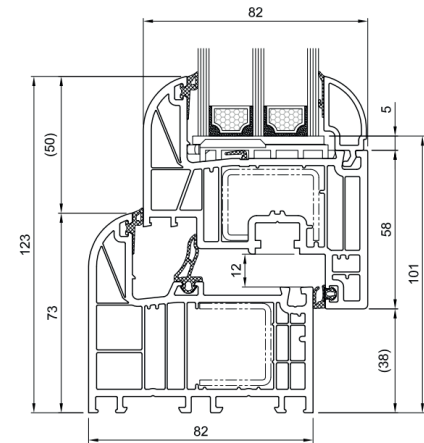


H09020 / H08521

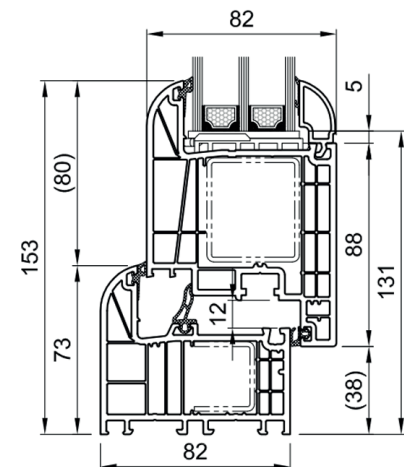


H09020 / H08530

## Collection ART LINE



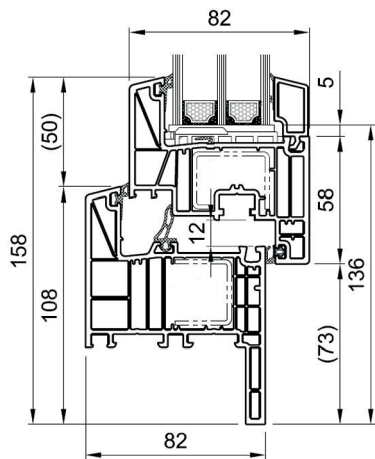
HP9220 / HP8920



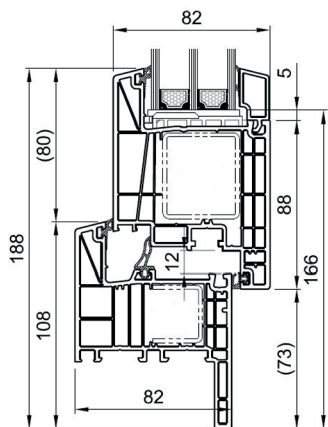
HP9220 / HP8930

# Renovation System **Bluevolution 82**

Collection  
**CLASSIC MD**  
**RENOVATION FRAME 35 MM**

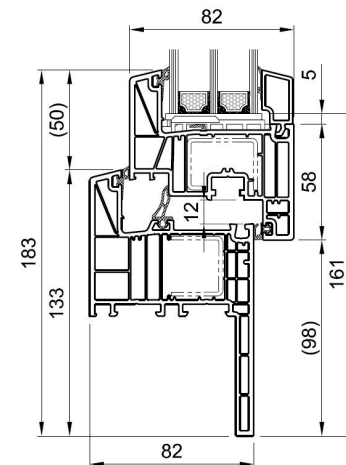


H09110/H08521

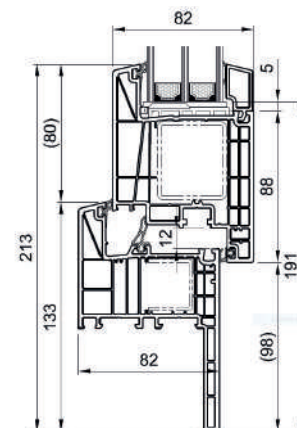


H09110/H08530

Collection  
**CLASSIC MD**  
**RENOVATION FRAME 60 MM**



H09700/H08521

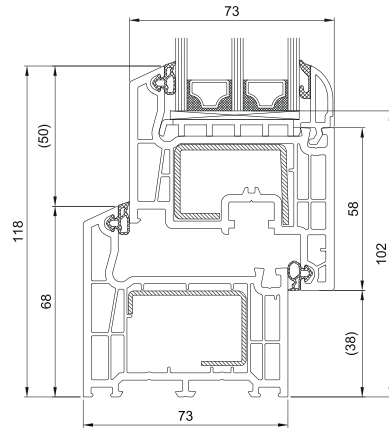
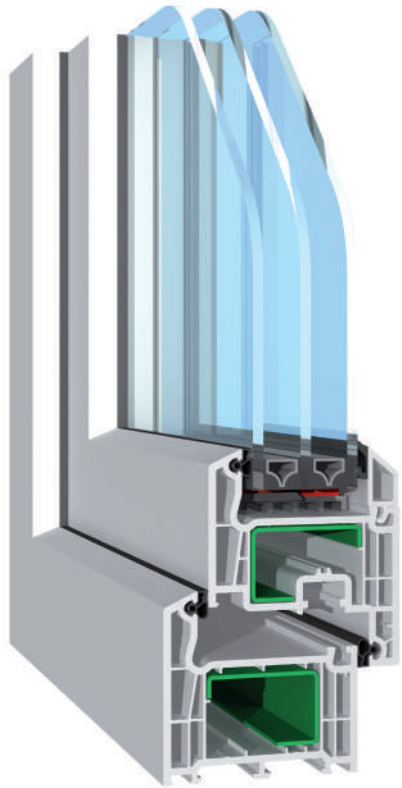


H09100/H08530

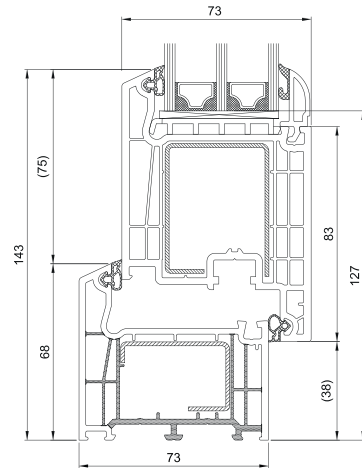


# System - Brüggmann - Bluevolution 73

## Collection PERFECT ECOLINE

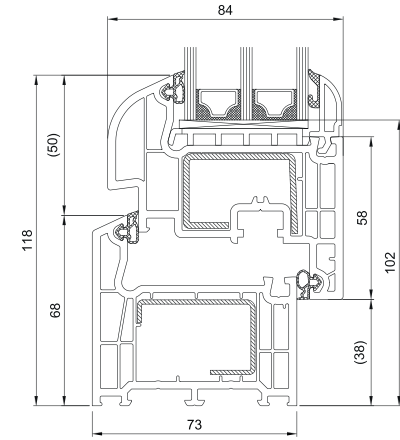
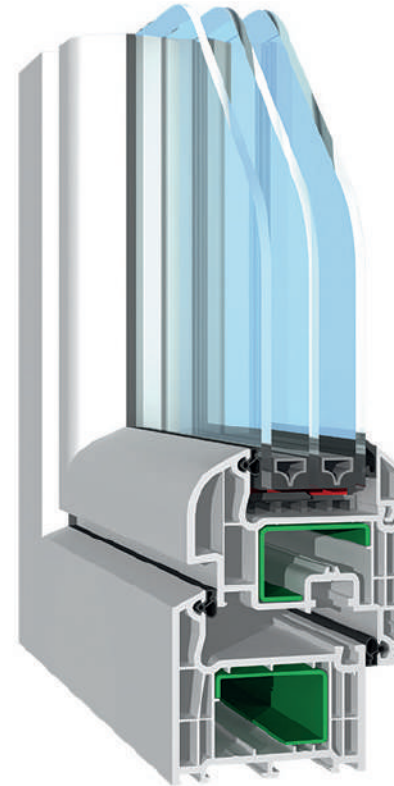


H07221 (HP1220)/H07721 (HP1720)

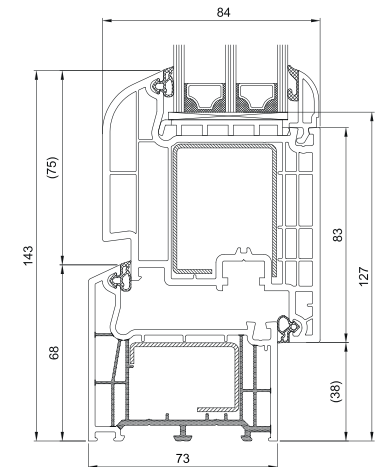


H01221/HP1730

## Collection PRESTIGE ECOLINE



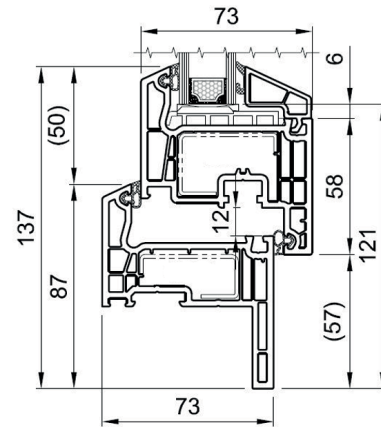
H07221 (HP1220)/H07821 (HP1820)



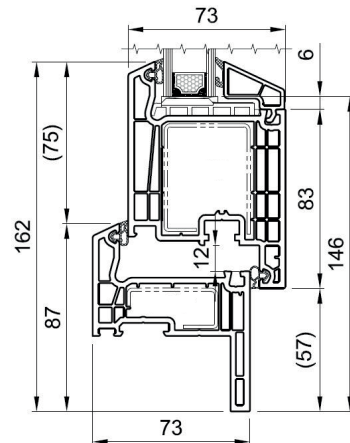
H01221/HP1830

# Renovation System **Bluevolution 73**

Collection  
**PERFECT ECO LINE**  
 RENOVATION FRAME 35 MM

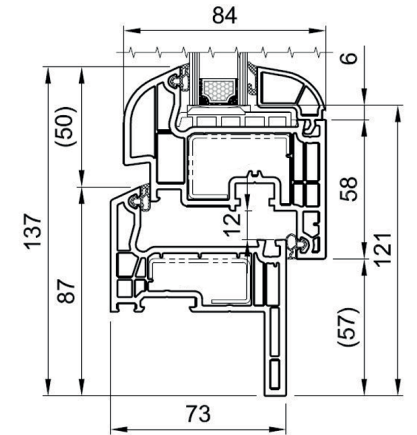


HP1110/H01721 (HP1720)

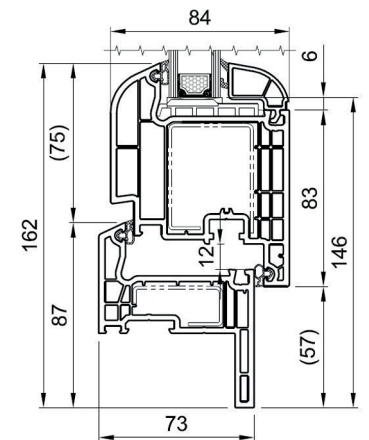


HP1110/ HP 7730

Collection  
**PRESTIGE ECO LINE**  
 RENOVATION FRAME 35 MM



HP1110/H01821 (HPLBZ0)



HP1110/HP1830

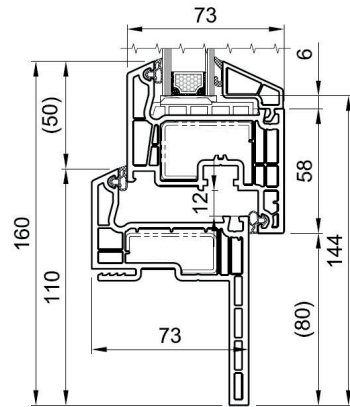


# Renovation System **Bluevolution 73**

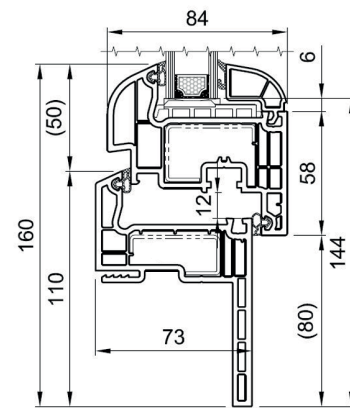
Collection

**PERFECT ECO LINE**

**RENOVATION FRAME 58 MM**



HP1100/H07721 (HP1720)

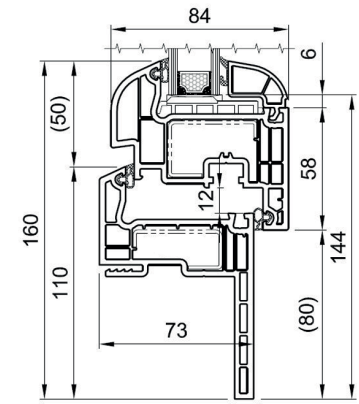


HP1100/HP1730

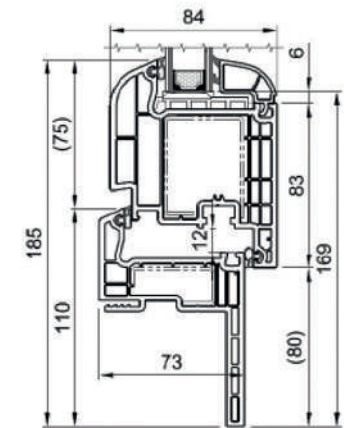
Collection

**PRESTIGE ECO LINE**

**RENOVATION FRAME 58 MM**



HP1100/H07821 (HP1820)



HP1100/HP1830

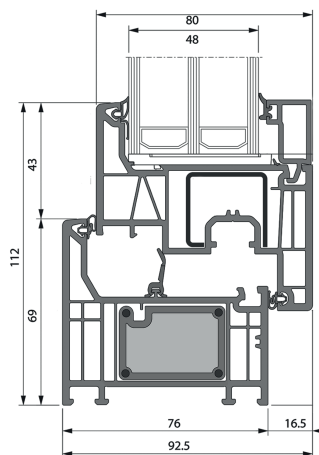
# System **Termo Elegant 76**

Collection  
**TERMO ELEGANT 76 PREMIUM MD**

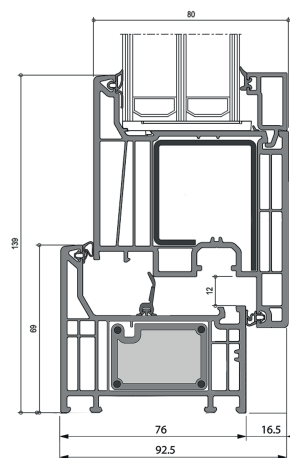
Collection  
**TERMO ELEGANT 76 MD**



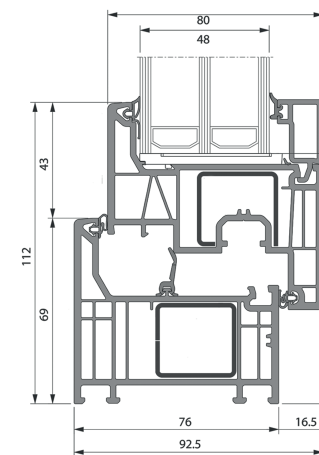
Thermal reinforcement  
**FORTHES** in the frame



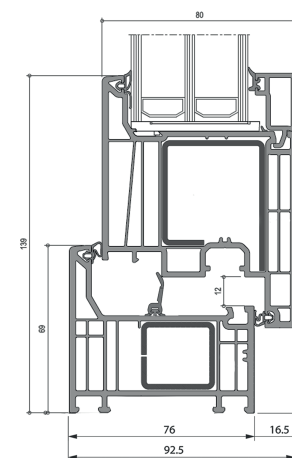
5103/5150



5103/5151



5103/5150



5103/5151

**deceuninck**

profile  
**6-chamber**

installation  
depth:  
**frame 76 mm**  
**sash 80 mm**

**$U_w = 0,73 \text{ W/m}^2\text{K}$  (Premium)**  
 **$U_w = 0,74 \text{ W/m}^2\text{K}$**   
 **$U_g = 0,5 \text{ W/m}^2\text{K}$ ; warm edge**  
 **$U_f = 0,96 \text{ W/m}^2\text{K}$  (Premium)**  
 **$U_f = 1,0 \text{ W/m}^2\text{K}$**   
for the reference window  
1230x1480 mm

glass thickness:  
**24 mm - 52 mm**

**system MD**  
**(3 gaskets)**

**glazing bars:**  
**rectangular**

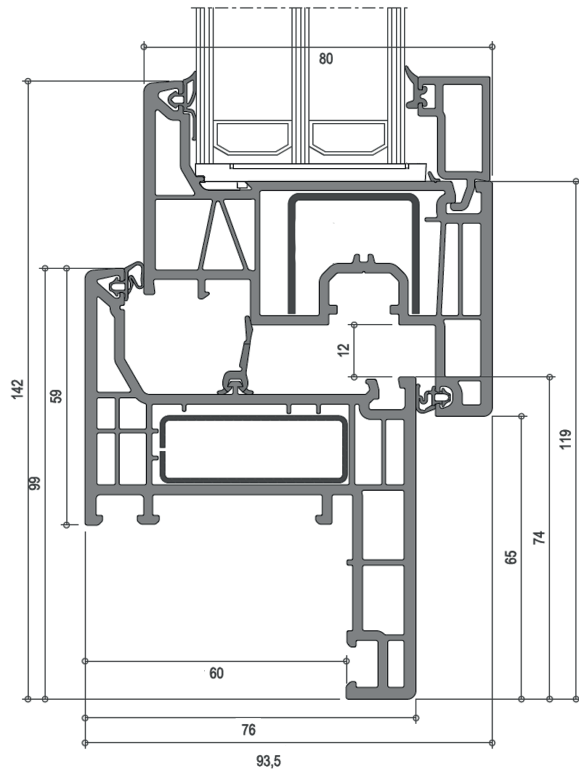


# Renovation System **Termo Elegant 76**

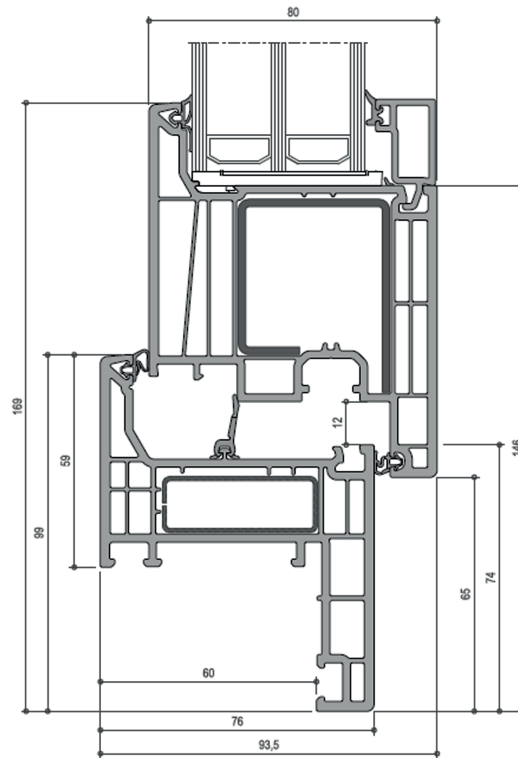
Collection

**TERMO ELEGANT 76**

**RENOVATION FRAME 40 MM**



5105/5150



5105/5151



**deceuninck**

profile  
**6-chamber**

installation  
depth:  
**frame 76 mm**  
**sash 80 mm**

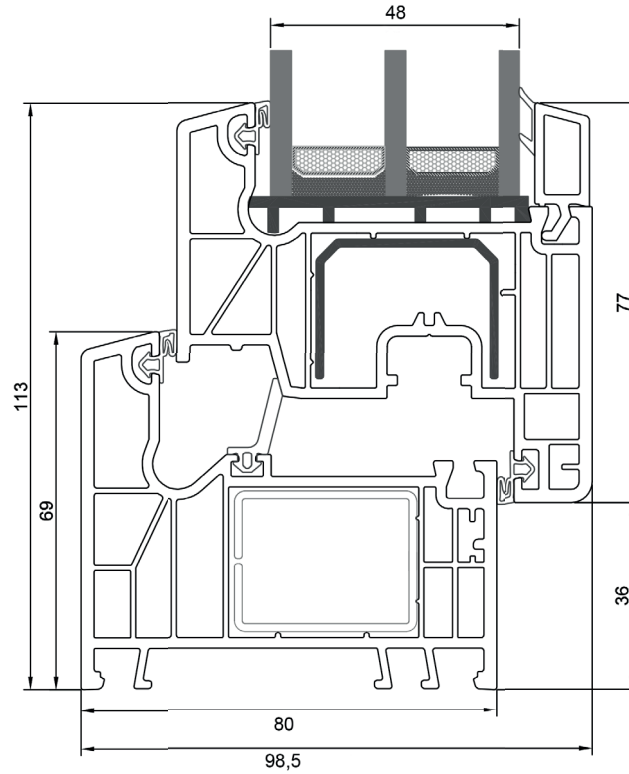
**$U_w = 1,3 \text{ W/m}^2\text{K}$**   
 **$U_g = 1,0 \text{ W/m}^2\text{K}$ ; with warm edge**  
 **$U_f = 1,4 \text{ W/m}^2\text{K}$**   
for the reference window  
1230x1480 mm

glass thickness:  
**24 mm - 52 mm**

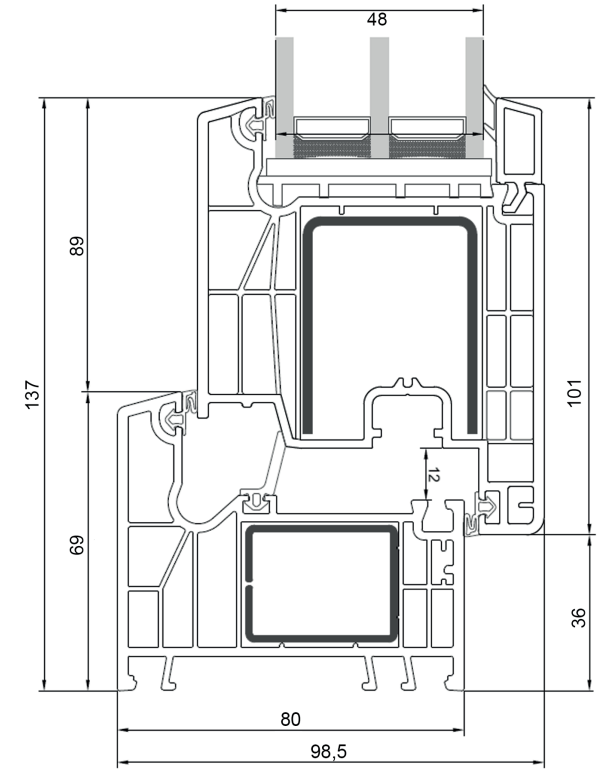
**MD system**  
**(3 gaskets)**

# System **Termo Evolution 80**

Collection  
**TERMO EVOLUTION 80 MD**



68011 / 68021



68011 / 58022



profile  
**6-chamber**

installation  
depth:  
**80mm**

**$U_w = 0,72 W/m^2K$**   
 **$U_g = 0,5 W/m^2K$ ; warm edge**  
 **$U_f = 1,0 W/m^2K$ ,**  
for the reference window  
1230x1480 mm

glass thickness:  
**24 mm, 28 mm and 48 mm**

**MD system**  
**(3 gaskets)**

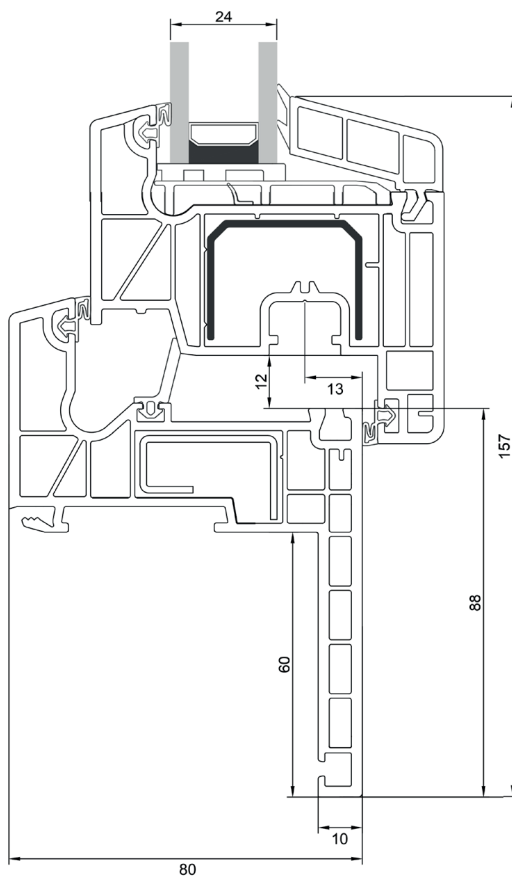
**glazing bars:**  
**rectangular and soft**

# Renovation System **Termo Evolution**

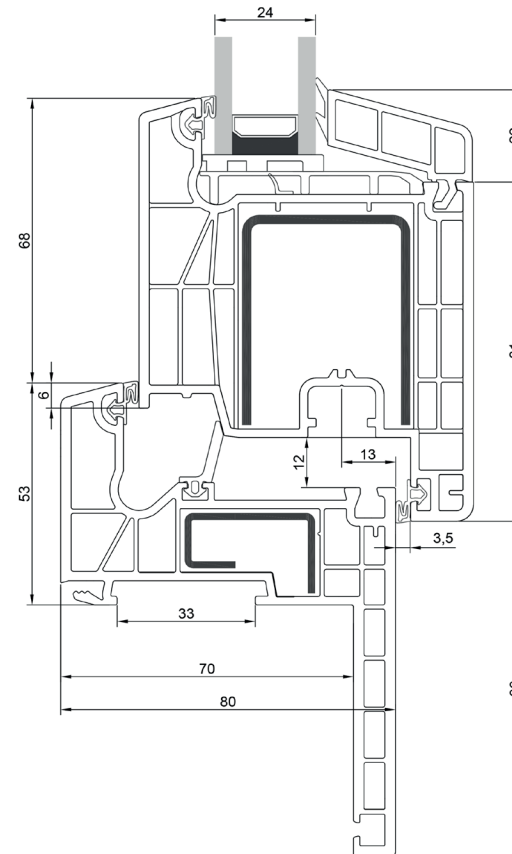
Collection

**TERMO EVOLUTION 80 MD**

**RENOVATION FRAME 60 MM**



68012/58021



68012/58022



profile  
**5-chamber**

Installation  
depth:  
**80 mm**

**$U_w = 1,3 \text{ W/m}^2\text{K}$**   
 **$U_g = 1,0 \text{ W/m}^2\text{K}$ ; warm edge**  
 **$U_f = 1,5 \text{ W/m}^2\text{K}$**   
for the reference window  
1230x1480 mm;

**glazing bars:**  
**24 mm, 28 mm and 48 mm**

**system MD**  
**(3 gaskets)**



# Aluskins system

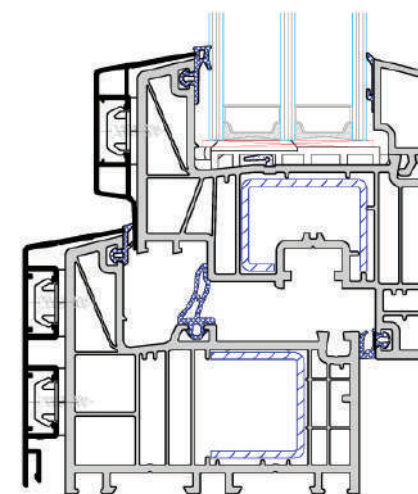
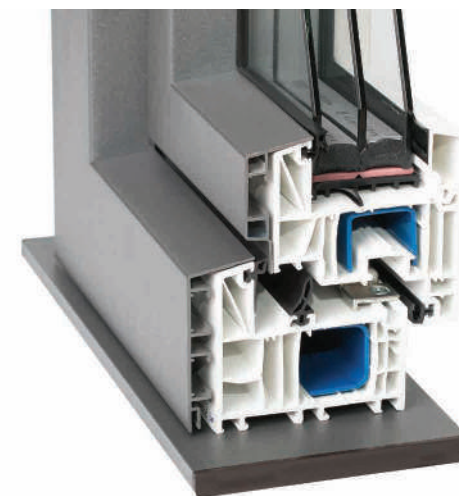
**Aluskins** constitute an innovative combination of PVC windows and doors with the advantages of aluminium.

**aluron**  
SYSTEMY ALUMINIOWE

- ✓ Aluminium is a strong and solid metal, characterized by its easy maintenance
- ✓ Windows with aluskins are extremely beautiful and practical
- ✓ Aluskins are available in all the RAL colours; their lacquered surface guarantees long-lasting durability
- ✓ Increase in number of gaskets and chambers with aluskins improves sound insulation of a window.
- ✓ Aluskins make constructions tigher

**Scope of application for aluskins:**

- system Bluevolution 82 Classic:
  - windows
  - terrace doors
  - PSK sliding doors





# SLIDING DOORS







## HST System

---

- The HST system is characterized by a great **ease of use**.
- One can open the door by **sliding the movable sash behind the fixed sash**. The movable sash moves on special carts along a rail hidden in the floor. This movement is **very smooth and requires very little effort**.
- After the movable sash has been stopped in a desired position, it can be blocked with the handle. It is not possible to tilt the sash in a standard way.
- An asset to the HST doors is an **aluminium threshold**, which can be almost completely hidden in the floor.
- It is in the HST system that the **maximum size** of sliding doors can be reached - the maximum width is **6 m**.
- The fixed glass always occurs in the sash.

## evolutionDrive Plus+ System

---

- The principle of operation of the evolutionDrive Plus+ system is similar to the HST system. The door is opened by moving the **movable sash behind the fixed glazing**. The movable sash moves on special trolleys and **moves lightly and freely, using minimal force**.
- Similarly to the HST system, it is not possible to tilt the sash as standard.
- **The threshold is a window frame**. Systemically, it is not possible to make the threshold frame flush with the floor.
- The maximum width of the slider is **3.9 m**.
- The evolutionDrive Plus+ system is characterized by **high tightness of the structure**, achieved thanks to the fact that the seals used during closing are pressed transversely to the frame, along the entire circumference.
- Glazing in the non-opening part of the structure is always embedded in the frame.



## EvolutionDrive system

---

The evolutionDrive system is based on two collections:

- **JetLine** - - the sliding door is maximally 3500 mm wide and maximally 2480 mm high, whereas the area cannot exceed 6 m<sup>2</sup>
- **InLine** - the sliding door is maximally 3500 mm wide and maximally 2480 mm high, whereas the area cannot exceed 5,6 m<sup>2</sup>. The sliding door with the maximum width can only be made by breaking the symmetry, since the movable sash cannot be wider than 1000 mm.

The evolutionDrive sliding doors are called "light sliding doors".

One can open the evolutionDrive **sliding door by sliding the movable sash behind the fixed sash**. It is also possible to make the sliding door in **the scheme D, then both sashes are movable**.

It is not possible to tilt the sash of a light sliding door in a standard way.

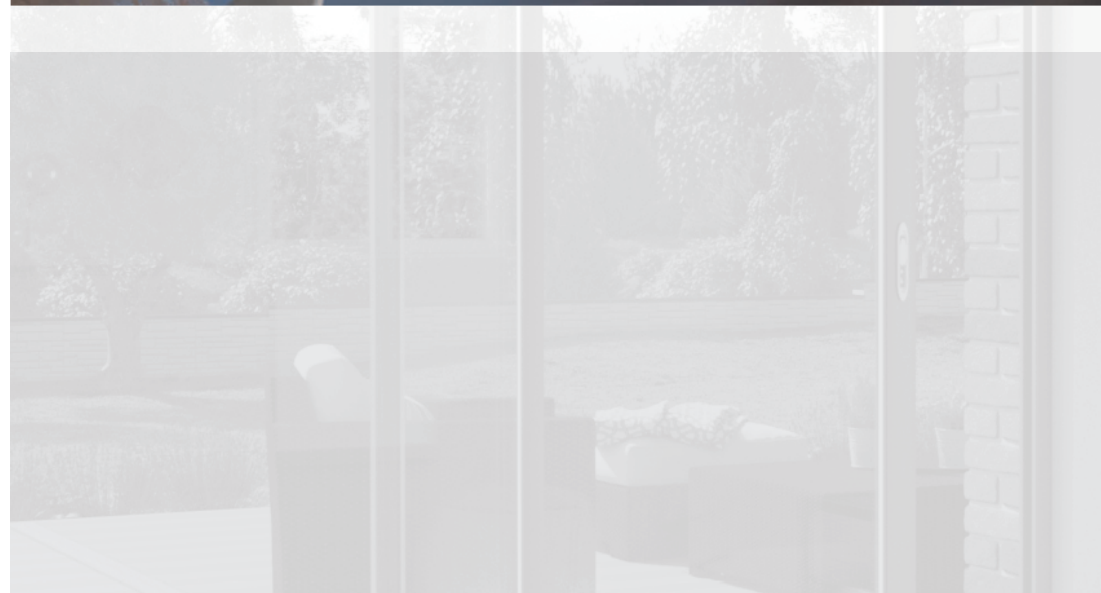
**The threshold forms part of the door frame.**

The fixed glass always occurs in the sash.

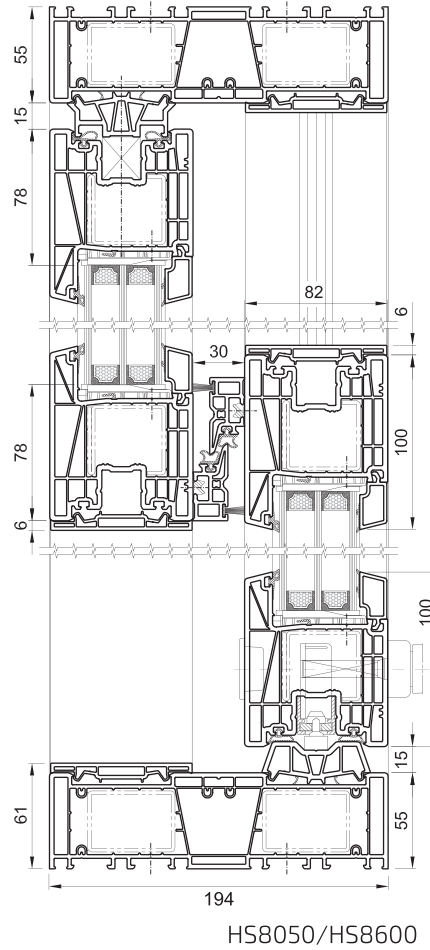
## PSK system

---

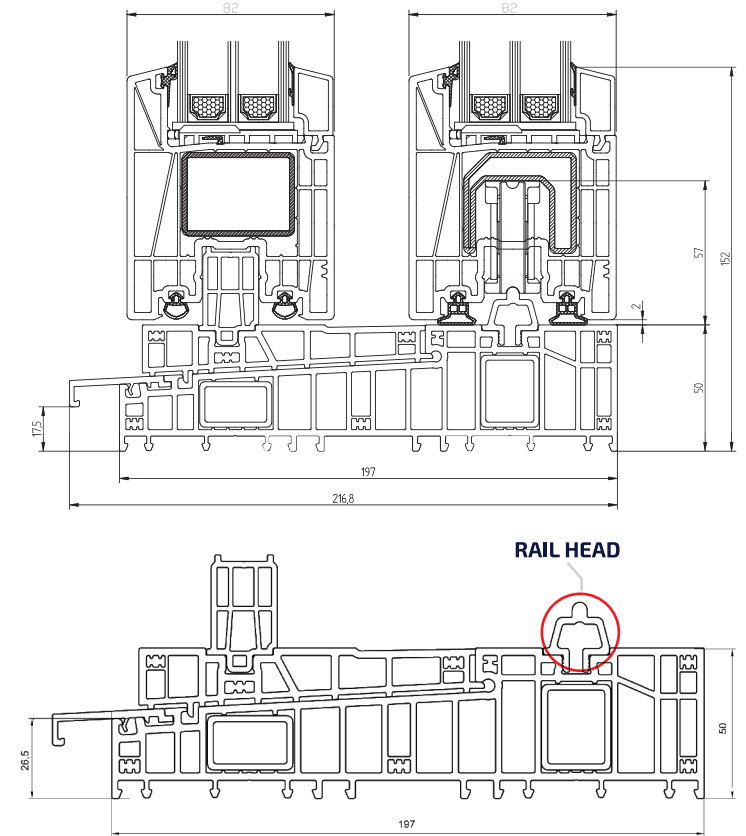
- PSK sliding doors can be made with any PVC profiles.
- When the PSK sliding door is closed, **the fixed and the movable sash are lined up**, and thus the construction looks very beautiful.
- It is the most **economic of the sliding systems**.
- In order to open a PSK door, one **should first tilt the sash** and then pull it away from the frame. Then the sash moves along a guide rail situated in the bottom part of the frame. The rail is hidden behind a bar visible from the inside.
- The PSK system is the only one where the movable sash **can be tilted**.
- The PSK system, just like the Smart Slide system, does not allow the threshold to be hidden in the floor.
- The sliding door is maximally **3 m** wide.
- The PSK system is compatible with **two fitting types**: duoPort SK and duoPort PAS with addition parallel action function.
- The fixed glass can occur either in the frame or in the sash.



# HST - Salamander System



## HST THRESHOLD - Master Step



The **rail head** can be 5 mm or 15 mm high.  
The cross-section shows the 15 mm high rail head.

Scheme A



Scheme C



Scheme G



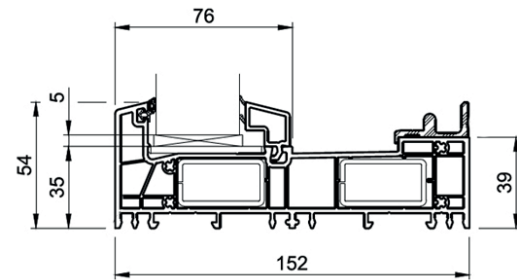
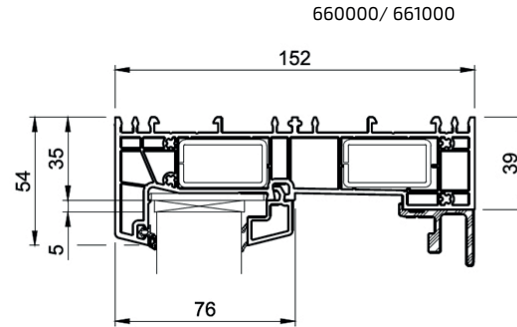
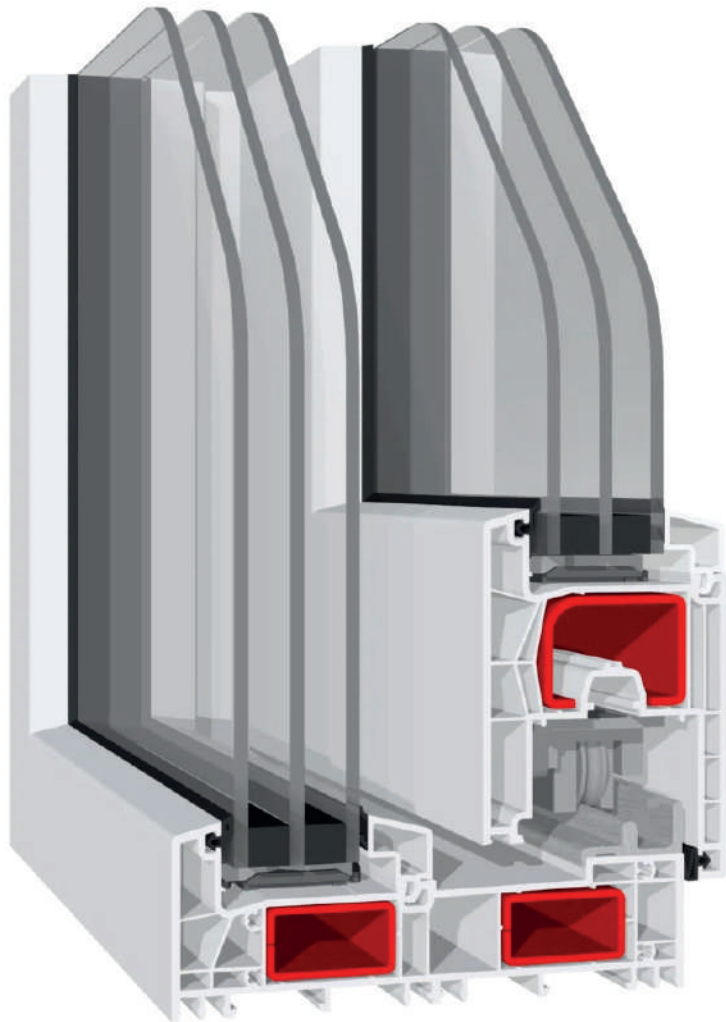
**SALAMANDER**  
WINDOW & DOOR SYSTEMS

**installation depth:**  
frame 194 mm,  
sash 82 mm

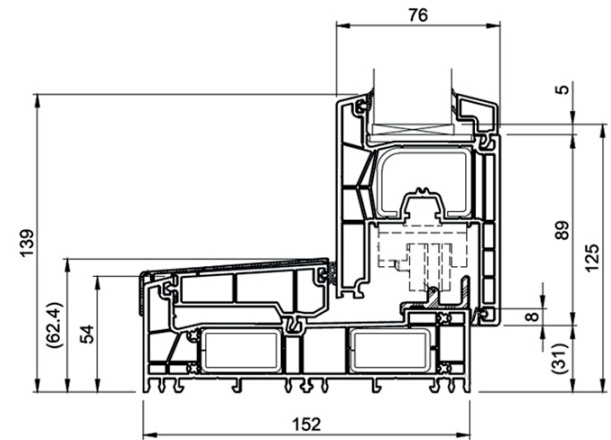
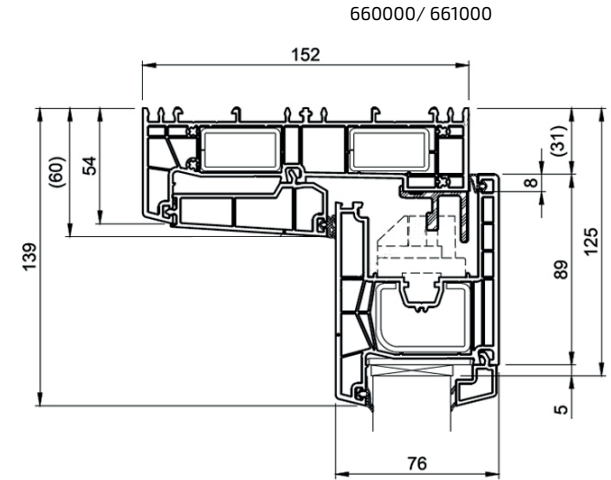
**$U_w = 0,73 \text{ W/m}^2\text{K}$**   
 **$U_g = 0,5 \text{ W/m}^2\text{K}$ ; warm edge**  
 **$U_f = 1,3 \text{ W/m}^2\text{K}$**   
for the reference window  
4800x2500 mm

glass thickness:  
**24 mm - 48 mm**

# System evolutionDrive Plus +



**FIXED GLASS**



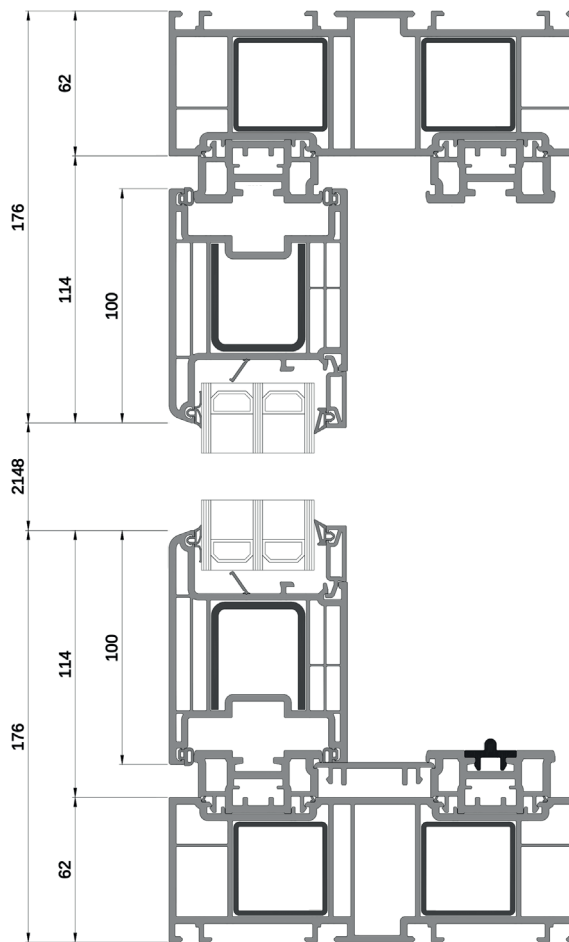
**MOVABLE SASH**



# System HST - Termo Elegant

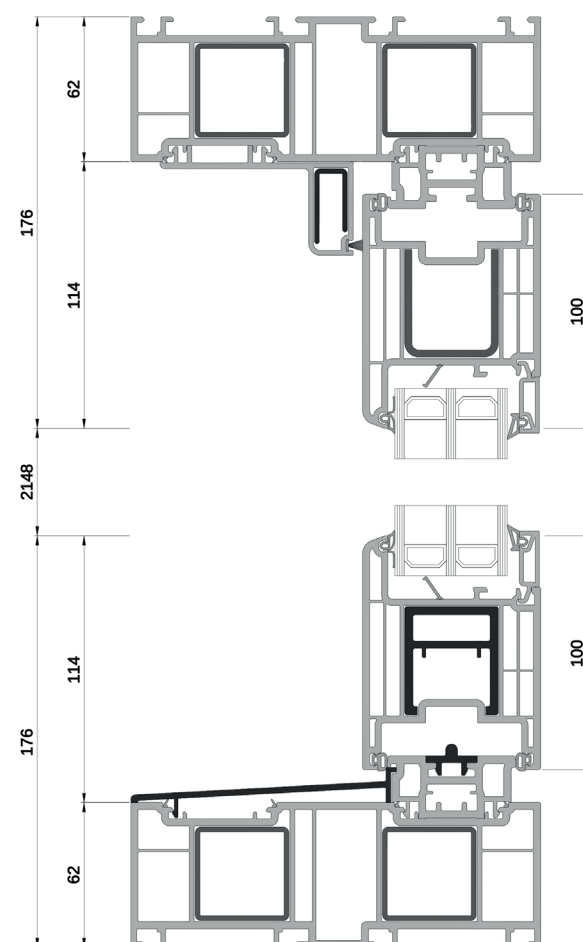


15830/15820



**FIXED GLASS**

15830/15820



**MOVABLE SASH**

deceuninck

installation depth:  
frame 175 mm, sash 76 mm

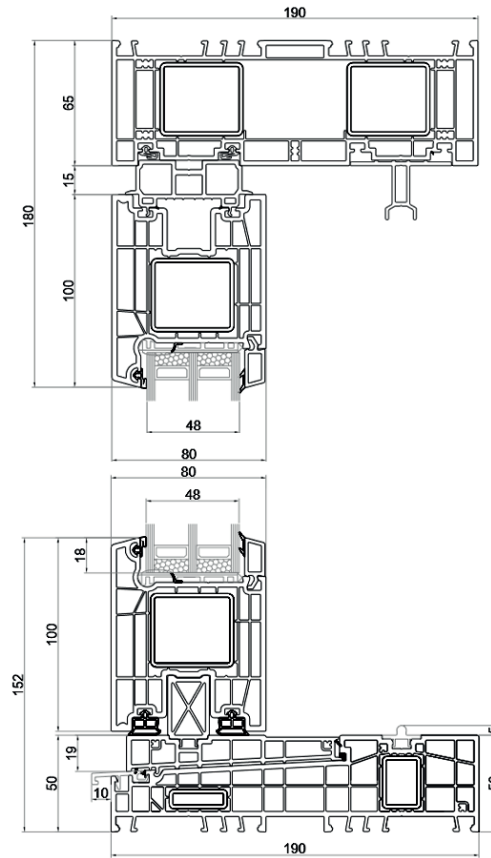
$U_w = 0,75 \text{ W/m}^2\text{K}$   
 $U_g = 0,5 \text{ W/m}^2\text{K}$ ; warm edge  
 $U_f = 1,4 \text{ W/m}^2\text{K}$   
for the reference window  
4800x2500 mm

glass thickness: 24-52 mm

Scheme A

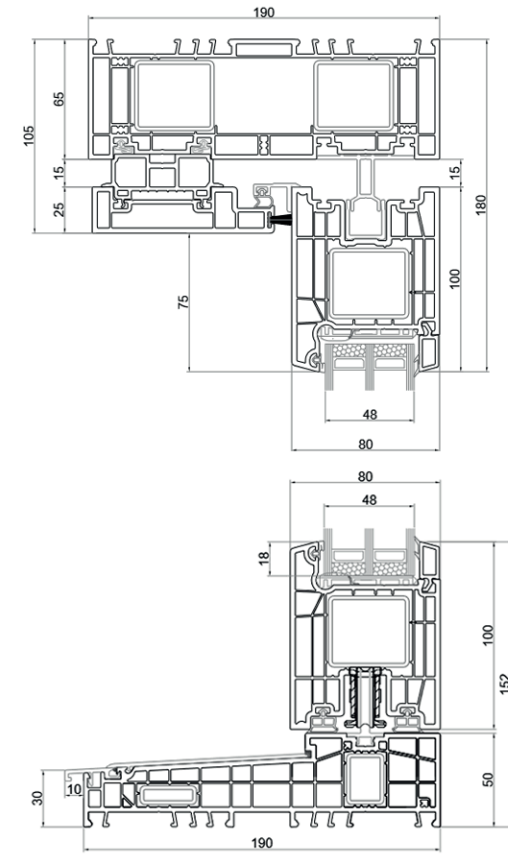


# System HST - Termo Evolution



78010 / 78020

## FIXED GLASS



78010 / 78020

## MOVABLE SASH



**installation depth:**  
frame 190 mm,  
sash 80 mm

**Ud = 0,74 W/m<sup>2</sup>K**  
**Ug = 0,5 W/m<sup>2</sup>K; warm edge**  
**Uf = 1,3 W/m<sup>2</sup>K**  
for the reference window 4000x2300mm

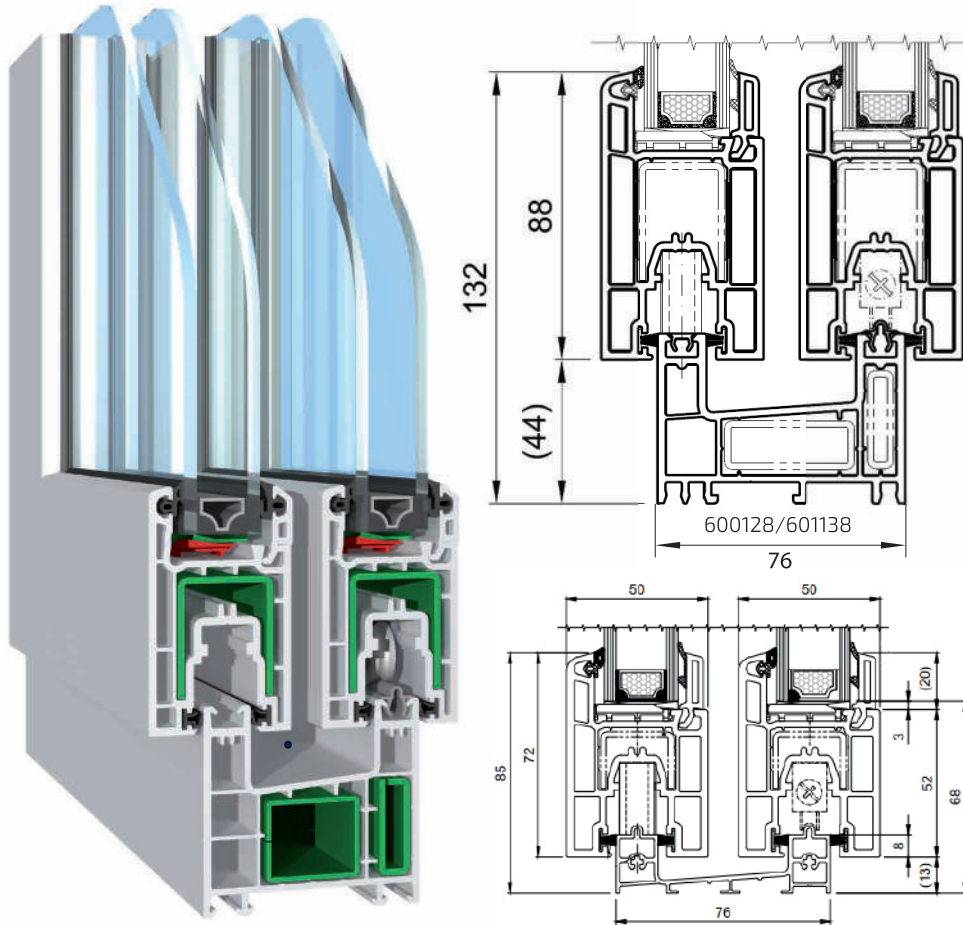
**glass thickness:**  
**48 mm**



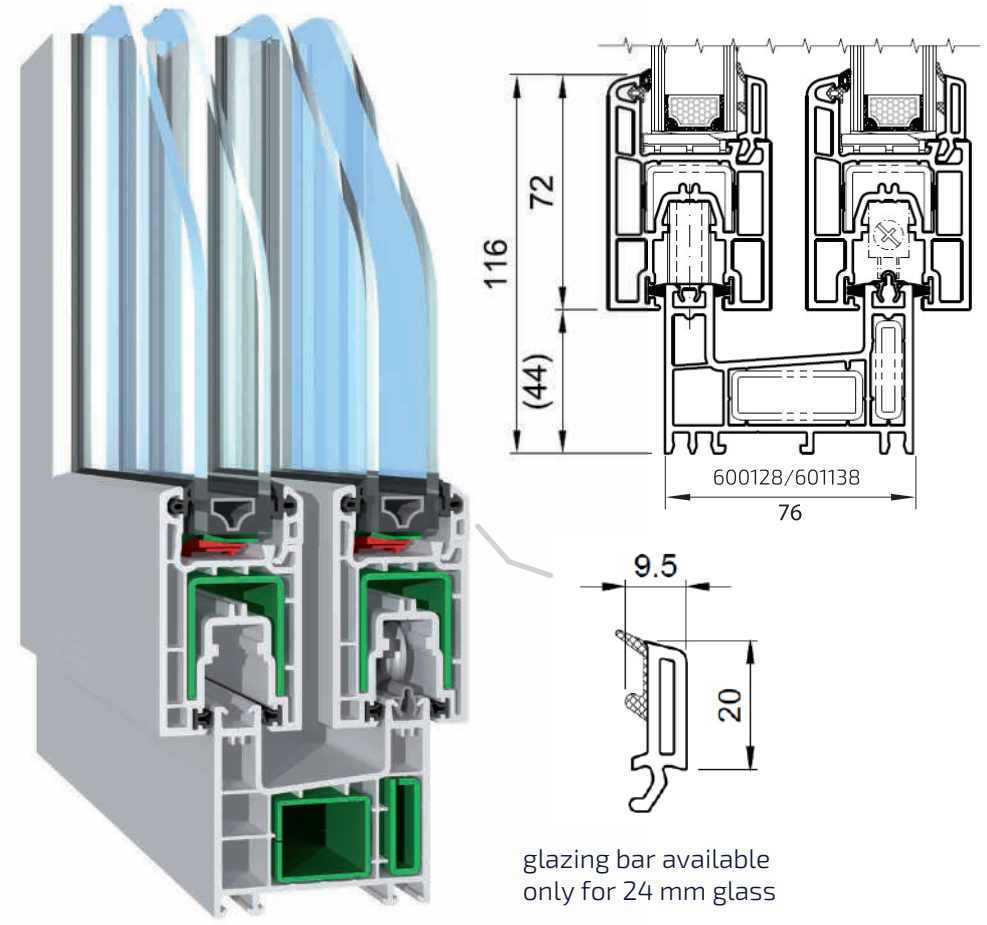
# evolutionDrive System

Collection  
**evolutionDrive JETLINE**

Collection  
**evolutionDrive INLINE**



Maximum width of **3000 mm**  
Maximum height of **2480 mm**



glazing bar available  
only for 24 mm glass

Maximum width of **3000 mm**  
Maximum height of **1600 mm**





# PSK System

## PSK SLIDING DOORS ARE AVAILABLE IN:

### window systems:

- Bluevolution 82 • Bluevolution 73 • Termo Evloution 80
- Termo Elegant 76

### renovation systems:

- Bluevolution 82 with renovation frame 35 mm and 60 mm

## TYPES OF FITTINGS FOR PSK SLIDING DOORS

• **duoPort SK** - **slide-tilt** fittings in two technical designs. With duoPort SK-S, the balcony door can be opened and closed manually both smoothly and safely. The duoPort SK-Z design offers added convenience: A handle control acts as a forced control here for easy tilt opening.

• **duoPort PAS** – the **slide** fitting system with parallel action. The circumferential ventilation gap measuring up to 6 mm between the sash and the frame guarantees a natural exchange of air. The gap will not let insects in, therefore it is not necessary to use a mosquito net. The parallel action function enables natural, soft room ventilation even when there is nobody around.

Scheme A



# EXTERNAL DOORS

We produce our doors from profiles by major companies. One can choose between products with installation depth of 73 to 82 mm.

---

Doors can be made in many variants: opening towards inside or outside; single, double or complex.

---

Doors can be filled with glass (partly or completely), decorative panels - both classic and innovative - as well as PVC panels.

---

The aluminium threshold in doors is constructed in such a way, as to make them ideally tight, even in the strong wind.

---

Our doors are equipped with high-quality fittings. Automatic or standard drive rods, with 3 or 5 bolts, ensure that the door sash presses firmly against the frame. The door is locked with hooks.

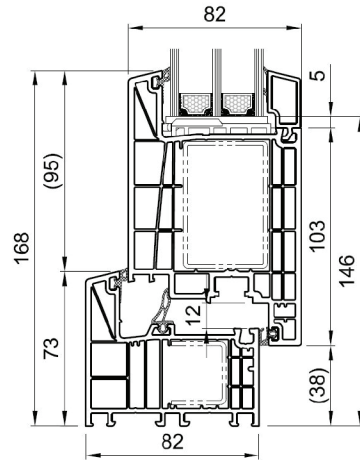
---

A vast colour range will enable you to find something to your taste.

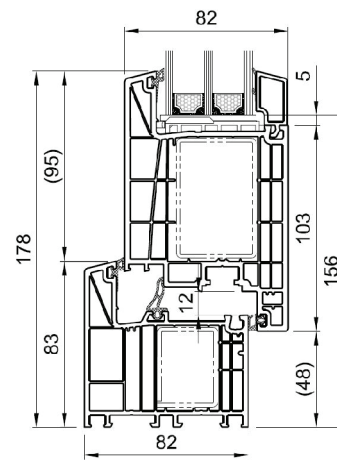


# System **Bluevolution 82 - DOORS**

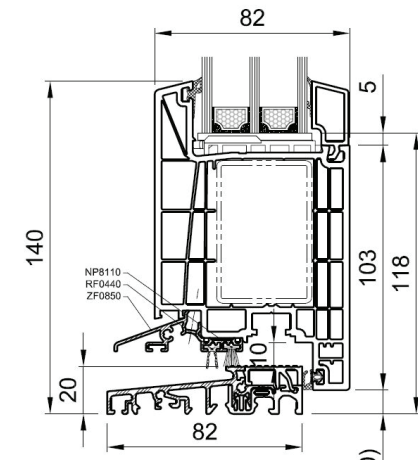
## Collection **DOOR 82 MD**



H09020/HP8550

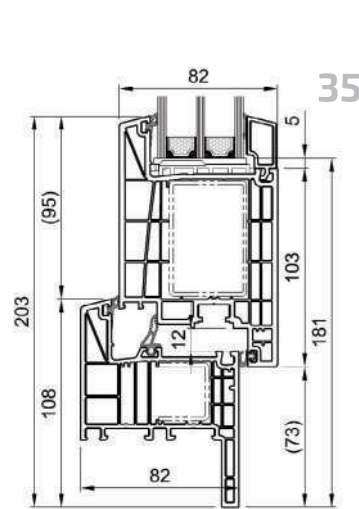


H09030 /HP8550

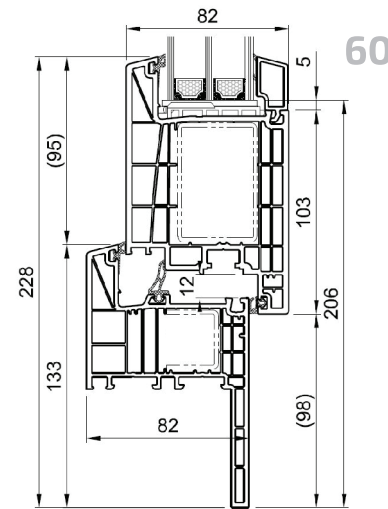


HP8550/ALUMINIUM THRESHOLD (10)

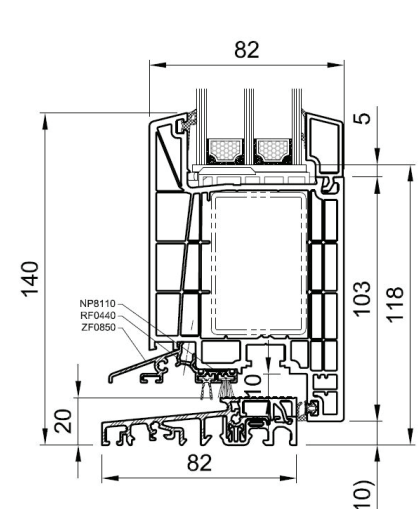
## Collection **RENOVATION MD FRAME 35 MM • FRAME 60 MM**



H09110/HP8550



H09100/HP8550



HP8550/ALUMINIUM THRESHOLD (10)

**SALAMANDER**  
WINDOW & DOOR SYSTEMS

**6 chambers**  
in the frame,  
**5 chambers**  
in the sash

installation  
depth:  
**82 mm**

**Ud = 0,83 W/m<sup>2</sup>K**  
**Ug = 0,5 W/m<sup>2</sup>K; warm edge**  
**Uf = 1,1 W/m<sup>2</sup>K**  
for the door 1230 x 2180 mm;  
MD system

glass thickness:  
**24 mm- 48 mm**

**MD system**  
(3 gaskets)

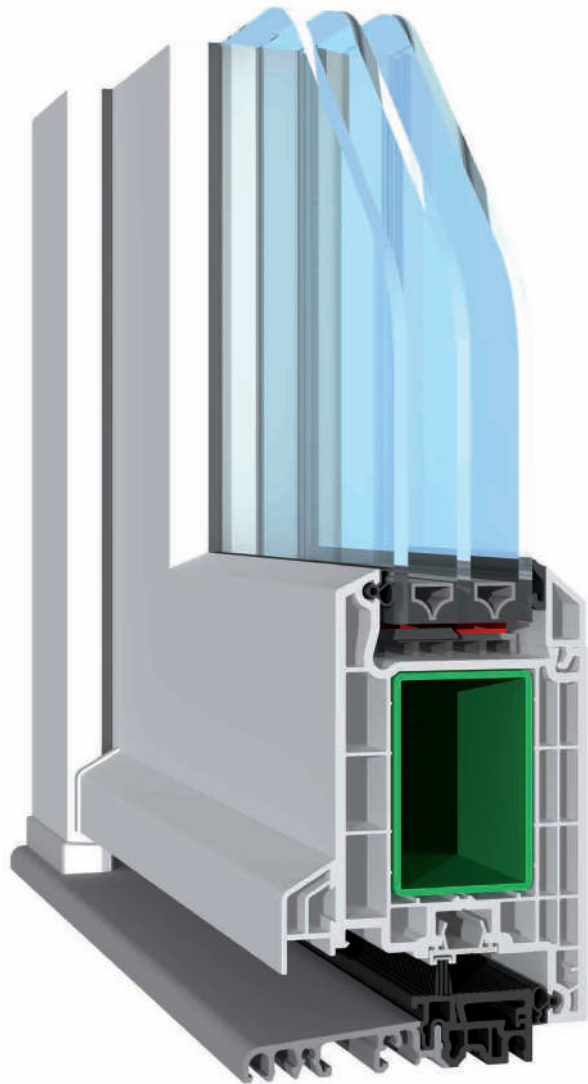
**standard**  
or **automatic**  
drive rod

**locked with 3**  
massive hooks

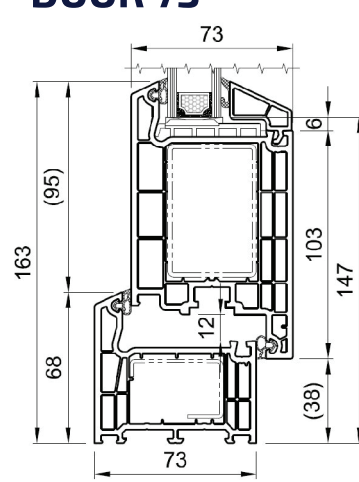
**standard or**  
**concealed**  
fitting



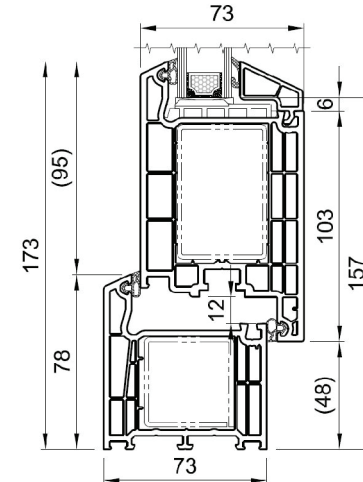
# System **Bluevolution 73 - DOORS**



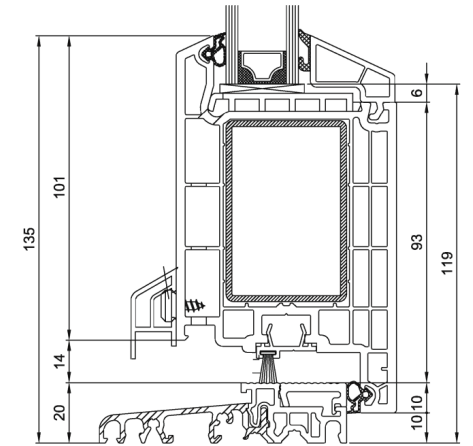
Collection  
**DOOR 73**



HO1221/HP1550



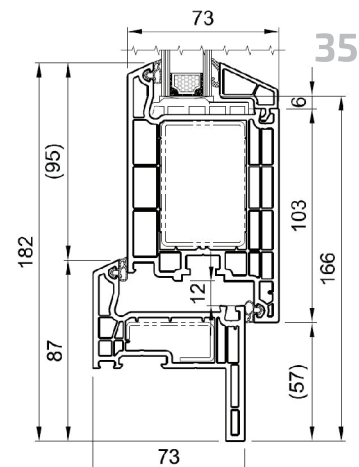
HP1230/HP1550



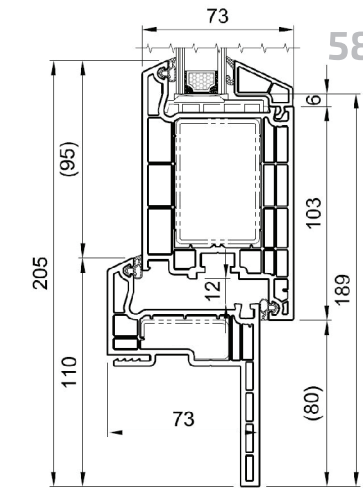
HP1550/ALUMINIUM THRESHOLD

Collection

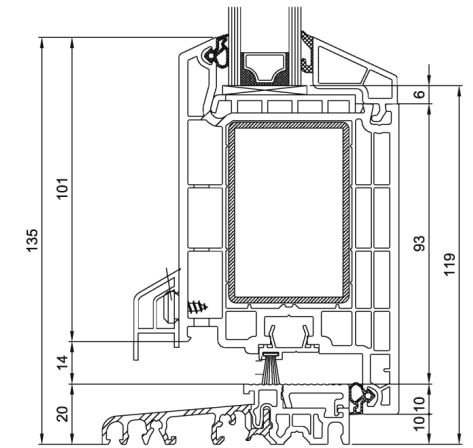
**RENOVATION FRAME 35 MM • FRAME 58 MM**



HP1110 /HP1550



HP1100/HP1550



HP1550/ALUMINIUM THRESHOLD

**SALAMANDER**  
WINDOW & DOOR SYSTEMS

**5 chambers**  
in the frame,  
**4 chambers**  
in the sash

installation  
depth:  
**73 mm**

**Ud = 1,0 W/m<sup>2</sup>K**  
**Ug = 0,5 W/m<sup>2</sup>K; warm edge**  
**Uf = 1,5 W/m<sup>2</sup>K**  
for the door 1230x2180 mm

glass thickness:  
**24 mm- 44 mm**

**AD system**  
(2 gaskets)

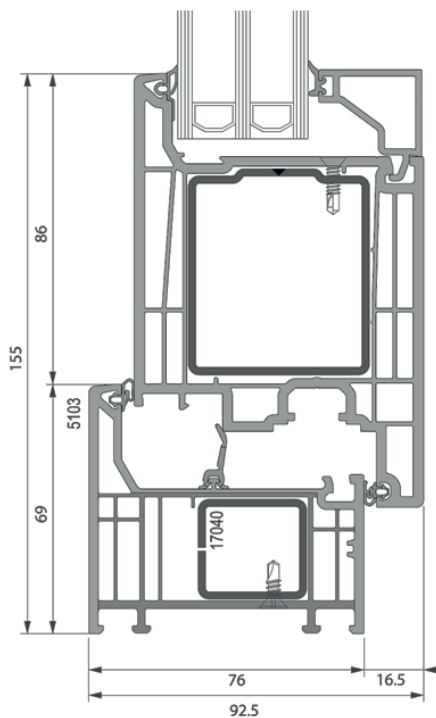
**standard**  
or **automatic**  
drive rod

**locked with 3**  
massive hooks

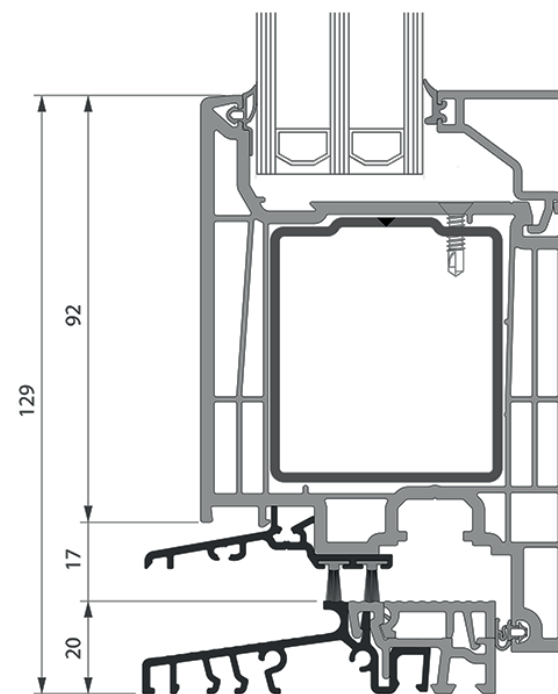
**standard**  
fitting

# System **Termo Elegant - DOORS**

Collection  
**TERMO ELEGANT 76 MD**



5103 / 5115



5115 / ALUMINIUM THRESHOLD

**deceuninck**

**6 chambers**  
in the frame,  
**5 chambers**  
in the sash

installation  
depth:  
**76 mm**

**Ud = 0,90 W/m<sup>2</sup>K**  
**Ug = 0,5 W/m<sup>2</sup>K; warm edge**  
**Uf = 1,4 W/m<sup>2</sup>K**  
for the door 1230x2180mm

glass thickness:  
**24 mm - 52 mm**

**MD system**  
(3 gaskets))

drive rod  
**standard**  
or **automatic**

**locked with 3**  
massive hooks

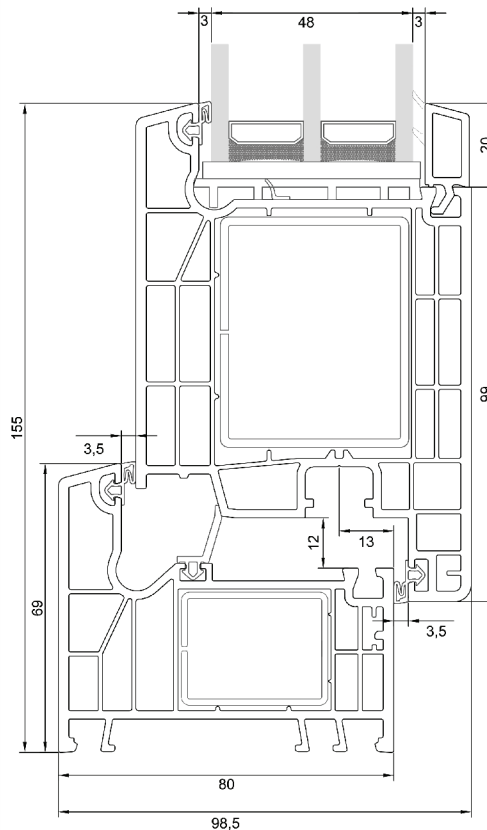
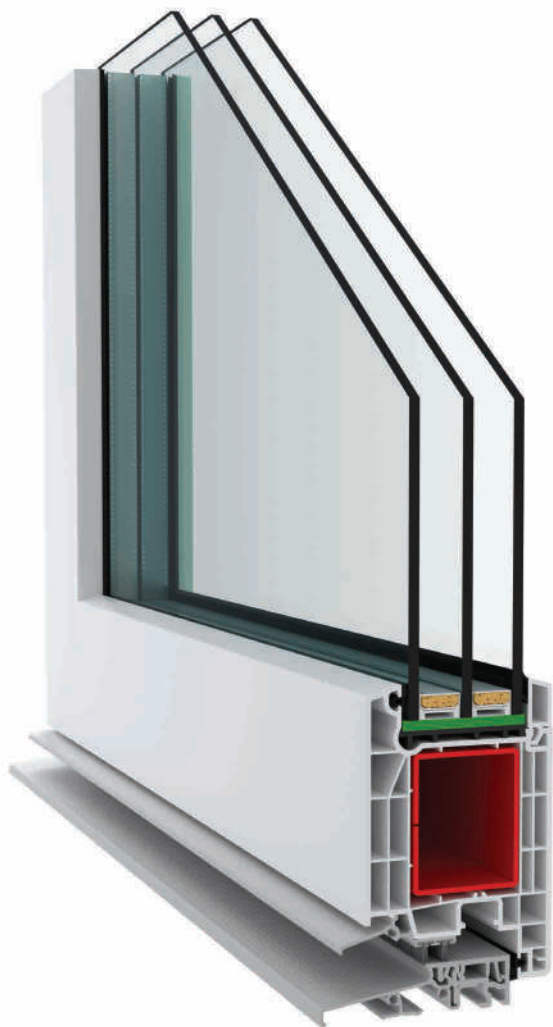
**standard**  
fitting

TERMO  PROFIL

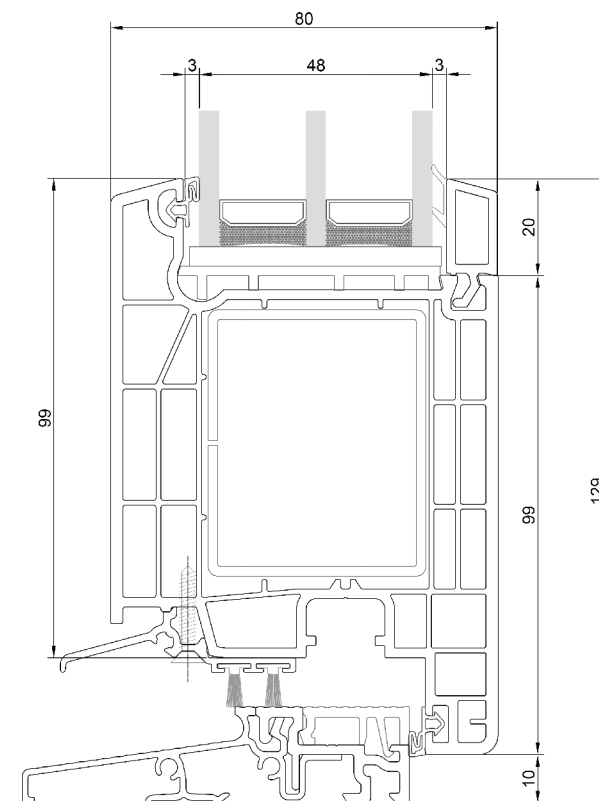
Y O U R W I N D O W T O T H E W O R L D

# Termo Evolution System - DOORS

Collection  
**TERMO EVOLUTION 80 MD**



68011 / 58020



58020/ALUMINIUM THRESHOLD



**5-chamber**  
profile

installation  
depth:  
**80 mm**

**U<sub>w</sub> = 0,93 W/m<sup>2</sup>K**  
**U<sub>g</sub> = 0,5 W/m<sup>2</sup>K; warm edge**  
**U<sub>f</sub> = 1,2 W/m<sup>2</sup>K**  
 for the door 1230x2180mm

**glass thickness:**  
 24 mm 28 mm  
 48 mm

**MD system**  
(3 gaskets)

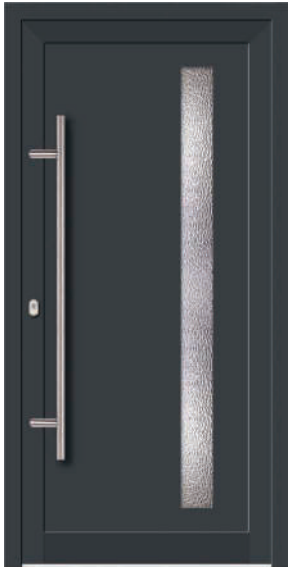
**standard**  
or **automatic**  
drive rod

locked with  
**3 massive hooks**

**standard**  
fitting



# Door panels



al\_AV431



al\_AV450



al\_AVI791



glass\_GLI02



glass\_GLP08



glass\_GLW26



glassal\_EV955



glassal\_EV959



glassal\_EV978



hpl\_DV177



hpl\_DV441



hpl\_DV785

# Door panels



hpL\_DV229



hpL\_DV219



hpL\_DV734



hpL\_DV434



hpL\_DV716



pvc\_DV503



hpL\_DV267



hpL\_DV784



hpL\_DV705



hpL\_DV211



hpL\_DV436N



pvc\_DV371

# Door panels



pvc\_DV78N



hpl\_DV762



hpl\_DV701



hpl\_DV270



pvc\_DV301



pvc\_DV357



pvc\_DV189



pvc\_DV500



pvc\_DV501



pvc\_DV386



pvc\_DV28B



pvc\_DV304



# Door panels



SBP-120



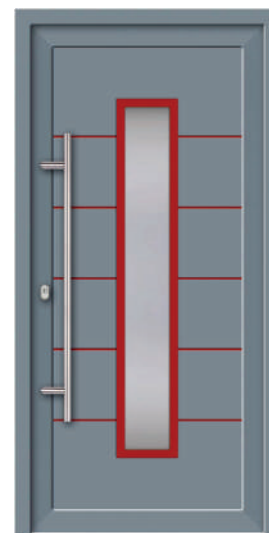
HBP-21-DC9016



HBP-17-DC7040



HBP-16-DC9005



HBP-13-DC3003



HBP-12-DC9005



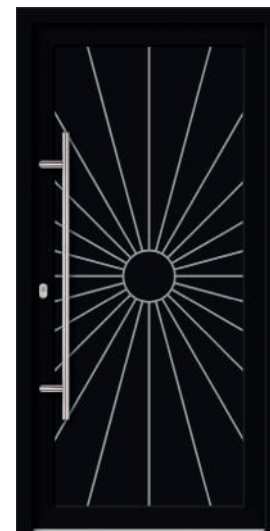
HBP-10-DC3003



HBP-09-DC9005



HBP-08-DC7040



HBP-03-DC7040



HBP-02-DC7016



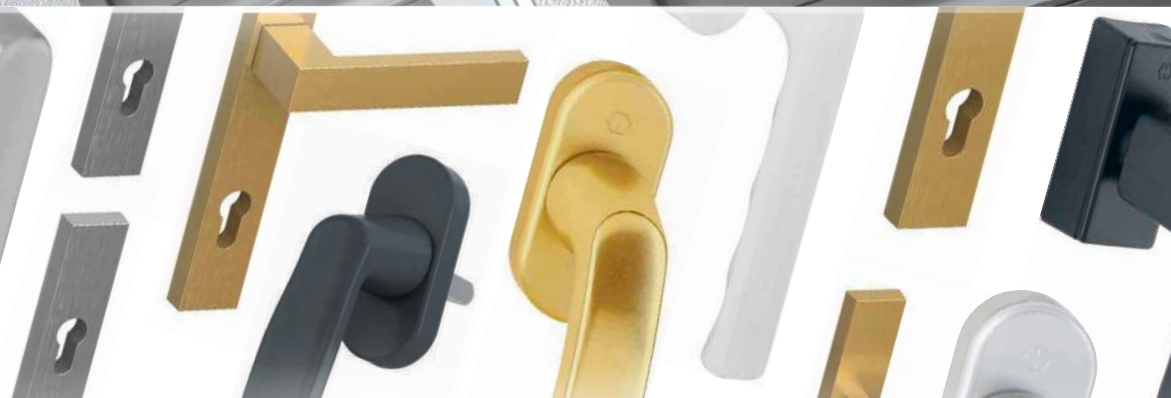
HBP-22-MC



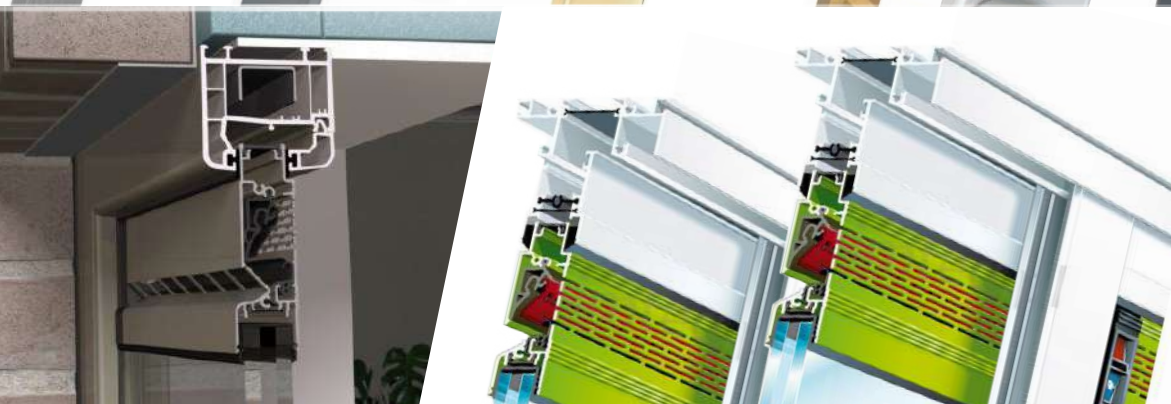
**GARAGE DOORS**



**ROLLER  
SHUTTERS**



**ACCESSORIES**



**EXTRAS**



# GARAGE DOORS



## INDUSTRIAL GARAGE DOORS

Industrial garage door is a perfect solution for places like: warehouses, production halls, garages, and car washes. They are really functional, safe and comfortable. Industrial doors offer a wide range of available options to carry out every investment project.

## ROLL-UP GARAGE DOORS

Roll-up garage door is a perfect solution for newly raised buildings as well as the existing ones. The biggest advantage is that one can save space, as the door opens and closes vertically. It is invaluable when you cannot install a sectional garage door. The rolled-up curtain does not block the view, which significantly improves the driver's safety.



## SECTIONAL GARAGE DOORS

Sectional garage door is a unique technical solution that meets the highest requirements of users. It opens upwards allowing unlimited use of the space in front of the garage and inside of it. The special construction of the panels guarantees safety – accidental finger injury while closing or opening the door is impossible.





# EXTERNAL ROLLER SHUTTERS

## ADAPTIVE SYSTEM

- used mainly for existing buildings
- no influence on the current state of the building
- 3 available box shapes: SK45, oval, and half-oval
- the box is attached to the wall above the window or to the window recess
- the roller shutters are not integrated with the window
- the roller shutters controlled electrically or manually
- it is possible to use a roller shutter integrated with a mosquito net



SK45

OVAL SKO-P

HALF-OVAL SKP

## FLUSH MOUNTED SYSTEM INTEGRO



- used mainly for newly erected buildings
- the box is attached to the lintel and not visible after plastering
- the base revision is situated outside
- the roller shutters controlled electrically or manually
- it is possible to use a roller shutter integrated with a mosquito net



INTEGRO SP-E

INTEGRO SP-E  
WITH A MOSQUITO NET

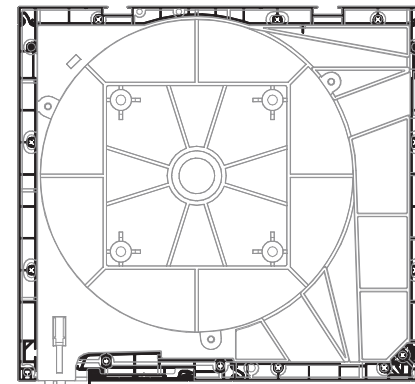
## TOP-MOUNTED SYSTEM OPOTERM SKT

- used for newly erected buildings
- the box is attached to the lintel while installing the window
- the box is not visible after plastering
- the roller shutters controlled electrically or manually
- it is possible to use a roller shutter integrated with a mosquito net



OPOTERM SKT

WITH A MOSQUITO NET



A

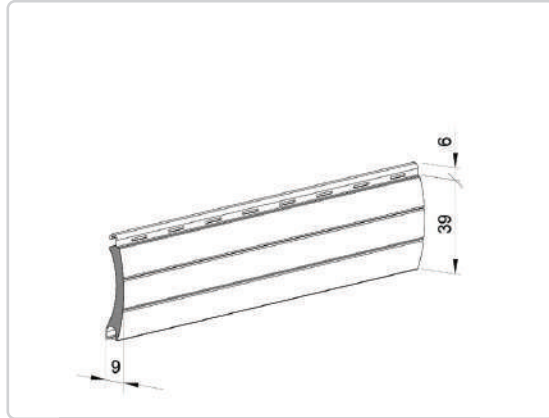
B

OPOTERM SKT  
Box sizes

A (mm)	B (mm)
230	170
230	210
255	240

# CURTAINS - PROFILES AND SIZES

## ROLLER SHUTTER CURTAINS

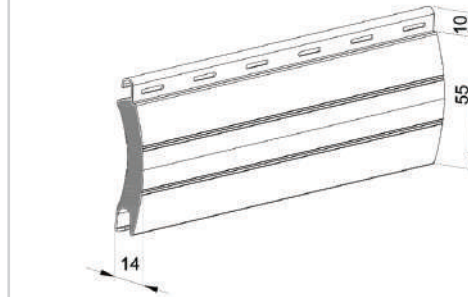


**PA43** Profile height: 43 mm  
Profile thickness: 8,8 mm  
Maximum area: 9 m<sup>2</sup>

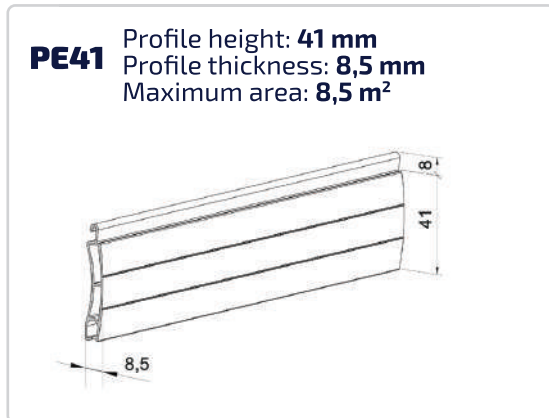
**PA55** Profile height: 55 mm  
Profile thickness: 14 mm  
Maximum area: 9,5 m<sup>2</sup>



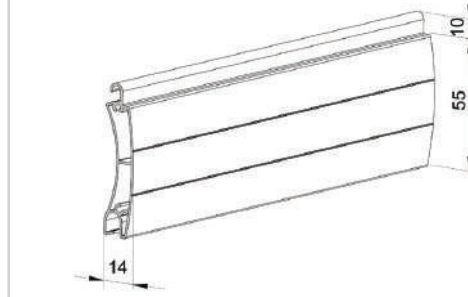
**PA52** Profile height: 52 mm  
Profile thickness: 13 mm  
Maximum area: 8 m<sup>2</sup>



**PE55** Profile height: 55 mm  
Profile thickness: 14 mm  
Maximum area: 15 m<sup>2</sup>



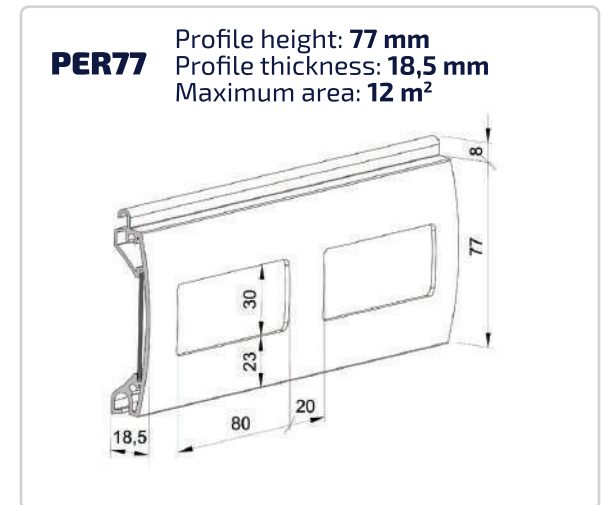
**PE41** Profile height: 41 mm  
Profile thickness: 8,5 mm  
Maximum area: 8,5 m<sup>2</sup>



## ROLL-UP GARAGE DOOR CURTAINS



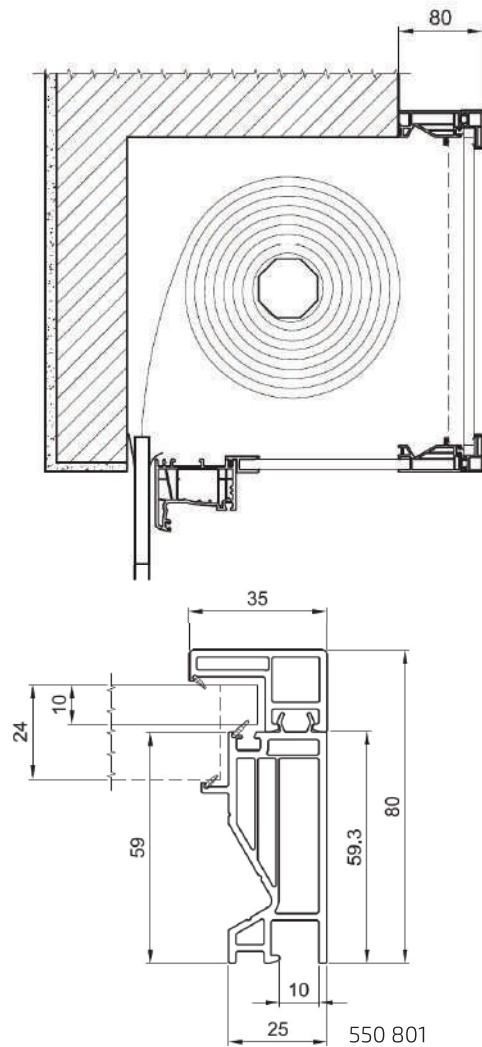
**PA77** Profile height: 77 mm  
Profile thickness: 18,5 mm  
Maximum area: 15 m<sup>2</sup>



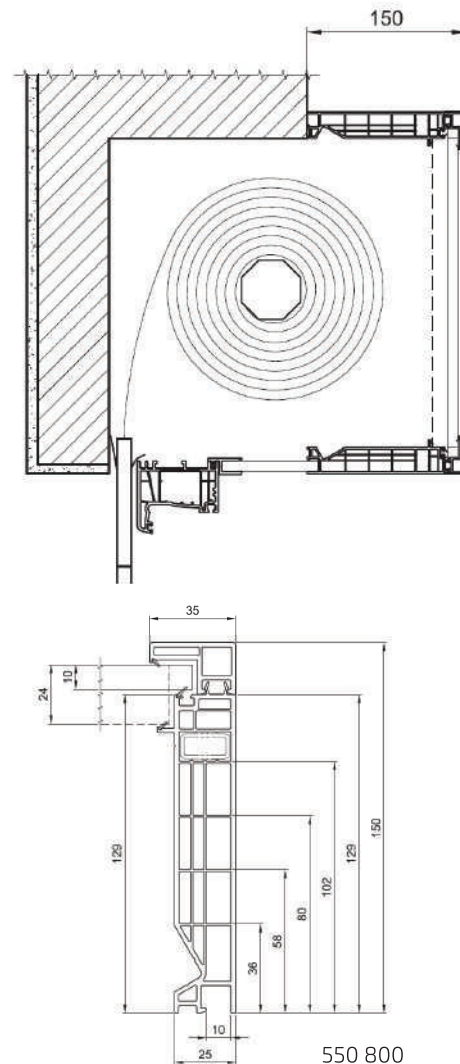
**PER77** Profile height: 77 mm  
Profile thickness: 18,5 mm  
Maximum area: 12 m<sup>2</sup>

# RENOVATION CASSONETTI

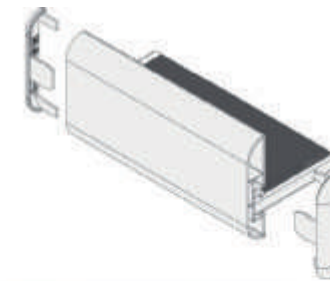
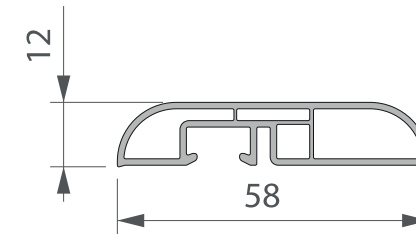
## CASSONETTI 59 MM



## CASSONETTI 129 MM



## CIELINO



Profile 3365 combined with PVC panels 9 mm thick and with caps, maybe used as CIELION (in the case of e.g. boxes concealed, plastered ad inside and outside, with inspection from the bottom).

It is possible to use a **10 mm or 24 mm** thick PVC panel.  
**The available colours** follow the colour scheme of Salamander profiles.



# THE 'SAFE & SOUND' TECHNOLOGY

## A NEW WAY TO CONTROL WINDOW OPENING

- ✓ Specially developed safety block that prevents uncontrolled window opening
- ✓ Compatible with all the fittings appearing in our windows.
- ✓ By intentional removal of the block, the sash is freely openable
- ✓ The safety block cannot be seen when the window is closed
- ✓ One can insert the element to new as well as already installed windows
- ✓ It is dedicated for residential buildings and public buildings, including hotels, hospitals, dormitories
- ✓ We have filed a patent for the 'safe and sound' technology



Windows furnished with the 'safe and sound' technology protect you, your nearest and dearest - toddlers, elderly people, guests - better against an unfortunate accident, which may be caused by an uncontrolled window opening.



ONLY AT TERMO PROFIL

# AIR INLETS

**Air inlets (vents)** are elements that introduce air from outside in.

Air inlets can be installed either in the sash (**humidity, pressure sensitive**) or on glass (**Renson's vents**).

**Humidity sensitive air inlets:** they operate automatically, depending on air humidity level in a room. Neither external action nor electricity supply is necessary.

AVAILABLE HUMIDITY SENSITIVE AIR INLETS:

- AERECO EMM
- AERECO EMM compatible with a roller shutter
- AERECO EXR - acoustic
- AERECO EXR - acoustic, compatible with a roller shutter

Available colours: RAL9003, 8017, 8001, 7016, 7045

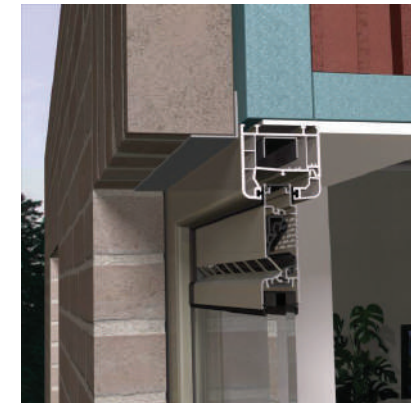


**Renson's vent** - an aluminium air inlet installed on glass. It partially replaces the glazing and at the same time provides an embedment for the glass. One can install Renson's vents in 24 mm thick glazing.

Available colours: white or raw aluminum to be painted



view from inside



view from outside

**Pressure sensitive air inlets:** they operate automatically, the inward airflow depends on the difference in pressure outside and inside.

AVAILABLE PRESSURE SENSITIVE AIR INLETS:

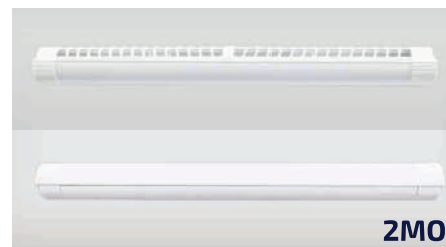
- AERECO ZMO PRESSO (290 mm long)
- AERECO ZMO PRESSO (290 mm long) compatible with a roller shutter
- AERECO AMO PRESSO (290 mm long)
- VENTAIR TRDn
- VENTAIR TRDn compatible with a roller shutter

Available colours of pressure sensitive air inlets AERECO:

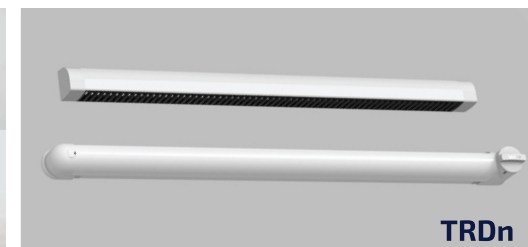
RAL9003, 8017, 8001, 7016

Available colours of pressure sensitive air inlets VENTAIR:

RAL9016, 7016, 8003, 8017



ZMO



TRDn



AMO

# ACCESSORIES

**WINDYY** is a magnetic blockade of the tilt or turn of the window and balcony door

Windy allows you to stop and hold the window or balcony door in any position, adjusting the opening of the window to your needs.

The magnets included in the blockade prevent wind pressure, draughts and animals from displacing the open window, whereas for a man it requires more effort as compared with a window without the blockade.

The blockade is hidden after closing the window.

It can be easily installed in PVC windows and balcony doors with no middle gasket.



balcony door catch



security keep



support plate



window lock



window limiter



turn limiter



# FITTINGS

Collection

## activPilot Standard

The mini ventilation function is fitted as standard in tilt and turn windows - it enables one to create a 2-3 mm air-gap (minimum tilt) that allows airflow.

The dual function element DFE, which includes limiter support and fail safe device, comes as standard.

The locking system is based on octagonal locking bolts that interact with standard or burglary-resistant keeps. The locking bolts allow easy adjustment without sophisticated equipment.



Collection

## activPilot Select

The fully concealed fitting system

In turn and turn windows, the hinges are fully concealed in the dry chamber between the sash and the window frame. This prevents thermal bridges. One continuous gasket surrounds the whole sash.

Locking points can be positioned into the corners - for maximum security and safety.

The mini ventilation function and the dual function element DFE come as standard.

The locking system is based on octagonal locking bolts.



# FITTINGS

## Collection activPilot Comfort

Tilt and turn fitting with parallel action

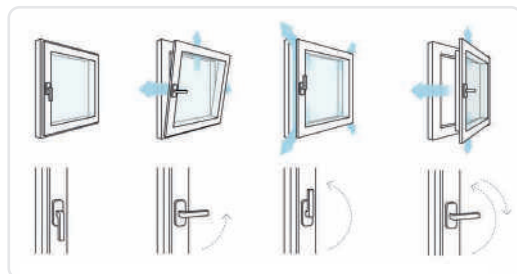
With the additional possibility of parallel offsetting of the sash by approx. 6 mm for ventilation, windows meet the current requirements of builders for safety, sustainability and energy-efficiency.

The special feature here is the dual function of the crosswise handle position: If the handle is moved to the crosswise position from below, the fitting is in the tilt position. If the handle is turned another 90° to the 180° position, the sash is in parallel action position. If the handle is turned back to the 90° position, the window sash can be moved to the turn position.

The parallel action offers the same protection from burglary as in the close state – burglary-resistance up to resistance class RC 2 is possible.

The dual function element DFE is fitted as standard.

The locking system is based on octagonal locking bolts.



## Collection activPilot TiltFirst

Fitting with a reversed operating sequence - tilt before turn

If the handle is moved to the crosswise position from below, the fitting is in the tilt position. If the handle is turned another 90° to the 180° position, the sash is in the turn position.

The fitting is compatible only with the lockable TBT window handle.

The mini ventilation function and the dual function element DFE come as standard.

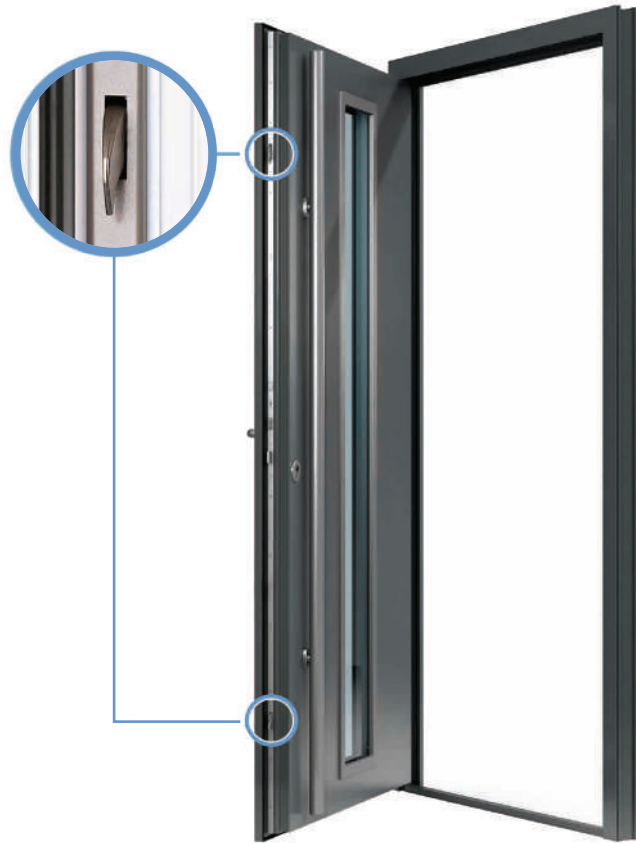
The locking system is based on octagonal locking bolts.

The operating sequence, which is coming more widely accepted on the market, offers additional security and is frequently used in nurseries, single homes, apartment blocks and residential homes for the elderly.



# DOOR FITTINGS

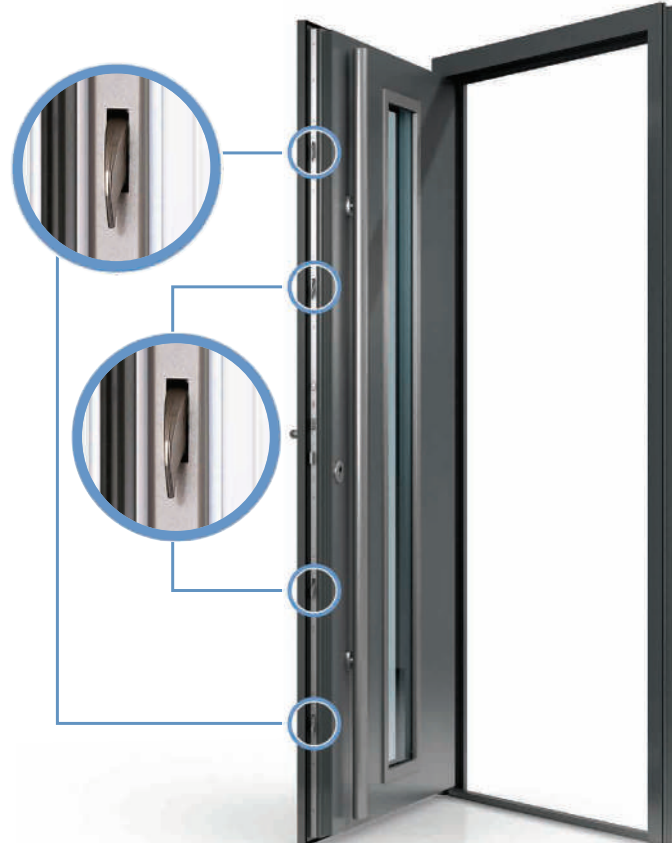
## STANDARD DRIVE ROD - LOCKED WITH A KEY



### hookLock

- 3 locking points (M2)\*
- single hooks\*
- one lock\* / two locks

\*standard equipment at Termo Profil



### hookLock

- 5 locking points (M4)
- single hooks
- one lock

**hookLock**  
single lock



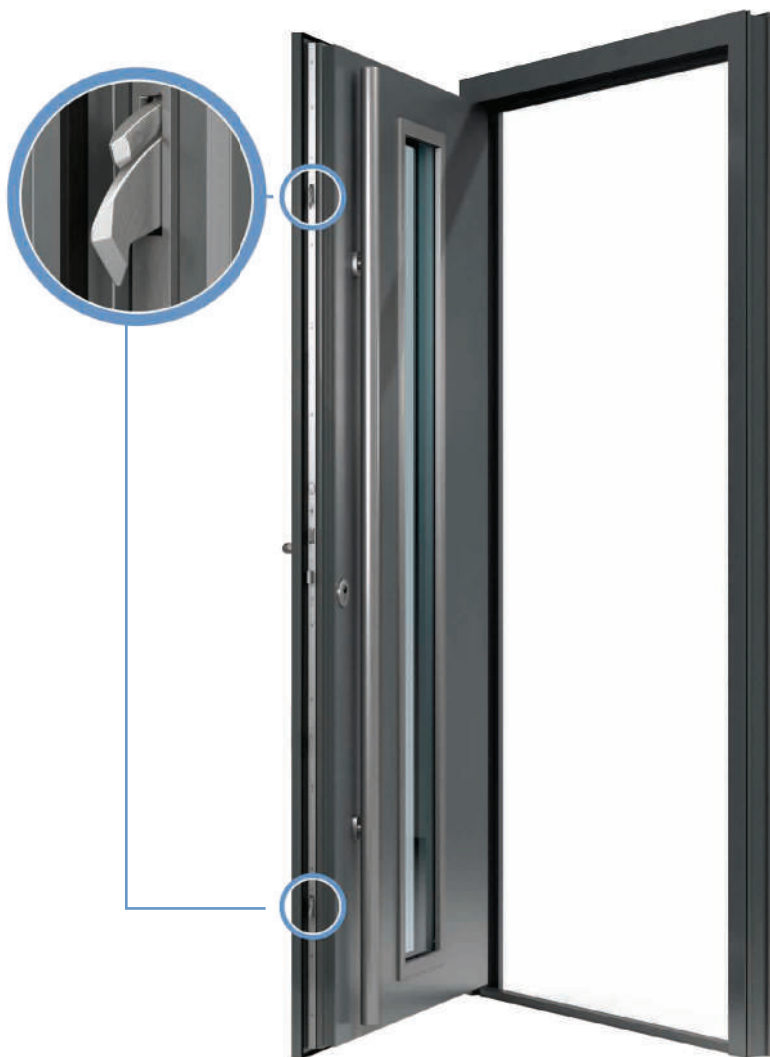


# DOOR FITTINGS



## AUTOMATIC DRIVE ROD - TRIGGERED MAGNETICALLY

The door is locked automatically once closed. It is not necessary to turn the key.



**autoLock AV3**



**autoLock AV3**  
double hook



**daytime**  
latch

The **daytime latch** in the night mode prevents unauthorized people from opening the door from outside, whereas in the day mode, it enables comfortable, keyless opening.

# WINDOW HANDLES



WHITE BROWN BLACK ANTHRACITE F1 F3 F4 F9

## SECUSTIK LUXEMBOURG

- it comes as standard in the collection Bluevolution 82 Classic, ArtLine

- compatible with all window collections by Termo Profil

- it contains a jamming-device, which provides integrated security. This makes it more difficult to move the window fitting unlawfully from outside

- the jamming-device allows for normal use of the window handle from inside, but jams the handle if anyone tries to turn it from outside by way of the fitting

**Other available Secustik window handles:**

- lockable - series TOKYO
- with a button - series NEW YORK



WHITE CREAM BROWN RAL 8077 BLACK ANTHRACITE TITAN GOLD SILVER

## PLUTO

- it comes as standard in the collection Perfect, Prestige, Termo Evolution 80

- compatible with all window collections by Termo Profil

- grip part made of aluminium

**Other available PLUTO window handles:**

- lockable

# WINDOW HANDLES

## SECUFORTE HAMBURG



WHITE



BROWN



BLACK



F1



F4



F9

## SECUFORTE TOULON



WHITE



BROWN



BLACK



F1



F4



F9

### BURGLARY-RESISTANT WINDOW HANDLES

#### BURGLARY-RESISTANT WINDOW HANDLES SECUFORTE PROVIDE ONE WITH:

- protection against break-ins by piercing the glass seal, drilling the frame or manipulating the hardware
- automatic locking function when the window is closed (0°) and when tilted (180°)
- operation different than usual - first press, then turn

#### Secuforte window handles:

- compatible with all window collections by Termo Profil

#### Other available Secuforte window handles:

- lockable
- with a button



# WINDOW HANDLES



WHITE



BROWN



F1



F4



F9

## SWING

- compatible with all window collections by Termo Profil
- a window handle uniquely elegant in shape - slightly curved
- innovative design, basic shape, smooth operation: these are some of the distinguishing characteristics of the SWING window handle

### Other available SWING window handles:

- lockable
- with a button



WHITE  
MAT



BROWN  
RAL 8019  
MAT



BLACK  
MAT



ANTHRACITE  
MAT



GOLD



SILVER

## TALLINN

### It is standard in the collection Termo Elegant

- compatible with all window collections by Termo Profil
- original rectangular shape
- grip part made of aluminium

# BALCONY DOOR HANDLES

## FOR BROAD SASH

### RN HANDLE SET



WHITE



F1



F9



F4



BRONZE

### RR HANDLE SET FOR A WINDOW WITH A ROLLER SHUTTER



WHITE



F1



F9



BRONZE

# SLIDING DOOR HANDLES

## HST - STANDARD HANDLE WITH SPACE FOR A PROFILE CYLINDER



WHITE



F1



F9



F4



BRONZE

## HST - SINGLE-SIDED HANDLE WITH A HALF-CYLINDER



WHITE



F9



F4



BRONZE

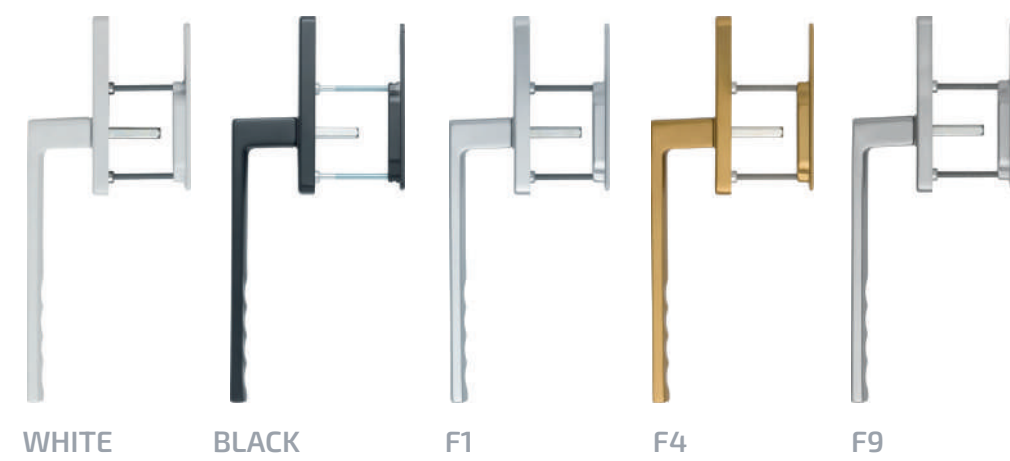


# SLIDING DOOR HANDLES

## HST



## HST - TOULON



## HST - DUBLIN

RECTANGULAR COVER PLATE

handle inside / handle outside



ANTHRACITE MATT 7016

handle inside / recess outside



ANTHRACITE MATT 7016



# SLIDING DOOR HANDLES

## PSK - FOR THE FITTINGS SK-S & PAS



## PSK - FOR THE FITTING SK-Z BROAD SASH



## PSK - FOR THE FITTING SK-Z



# DOOR HANDLES

## PULL HANDLES MADE OF STAINLESS STEEL

17



18



19



20



21



22



## DUBLIN 35

HANDLE • KNOB • RECTANGULAR COVER PLATE



black .....

F1 .....



F3 .....

F4 .....



F9 .....

F6 .....



# DOOR HANDLES

## LIEGE

**handle** - inside / **knob** - outside



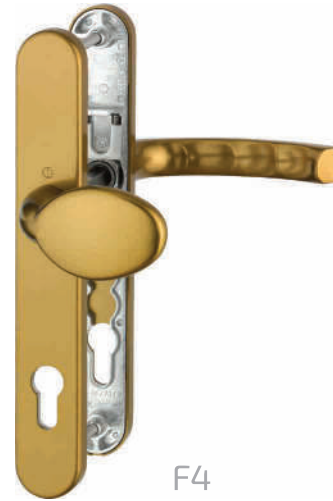
WHITE



BROWN



F1



F4



F9

**handle** - inside / **handle** - outside



WHITE



BROWN



F1



F4



F9

# DOOR HANDLES

## JUPITER

AVAILABLE COMBINATIONS:

STANDARD AT TERMO PROFIL



handle inside / knob outside



handle inside / handle outside



handle inside / P-shaped handle outside

AVAILABLE COLOURS:



anthracite gold silver titanium white cream brown RAL 8077 black

## PLUTO

HANDLES FOR BROAD-SASH DOORS



white silver cream gold brown RAL 8077 anthracite titanium black

# INSULATED GLAZING

There are a lot of available glass types, which allows the construction of modern and energy-efficient glazings. They are characterized by great ease of use, silence and safety, as well as economic benefits.

Insulated glazing consists of a few panes of glass separated with spacer bars and a noble gas: argon or krypton.



## ENERGY EFFICIENCY

The glass is covered with low-emission, i.e. insulating coatings. They afford protection from heat losses. Depending on the applied coating, one can reach different Ug-values - the lower the value, the lower the heat losses in the winter.

The applied coating type influences also the light transmittance coefficient Lt: the higher its value, the brighter the room.

**WARM EDGE** is a spacer bar that is located inside the glazing, between the panes of glass. It is used in order to prevent the phenomenon of thermal bridges. With the warm edge, the Uw-value falls, therefore the heating cost is proportionately lower.

### Types of warm edges:

- TGI warm edge – with the  $\psi$  coefficient of 0,040 W/m<sup>2</sup>K
- Swisspacer Ultimate – with the  $\psi$  coefficient of 0,032 W/m<sup>2</sup>K

## COLOURS OF WARM EDGES:





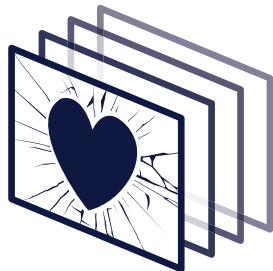
# INSULATED GLAZING

## SAFETY

In order to ensure family members' greater safety, one can use tempered or laminated glass.

**Tempered safety glass** has gone through the process of resiliency improvement, which minimizes the risk of smashing. As a result of tempering, glass breaks into pieces with blunt edges, which reduces the risk of injury.

**Laminated safety glass VSG** is manufactured by bonding several panes with foil, therefore even if the glass breaks, tiny pieces remain on the foil, so that it is possible to avoid injury.



## DECORATION & PRIVACY

Ornamental glass is used to make windowpanes less transparent. Glass can be more or less transparent, depending on the pattern. Ornamental glass offers plenty of opportunity as far as visual advantages and design are concerned.



## BURGLARY RESISTANCE

**Laminated safety glass** protects from burglary and acts of vandalism.

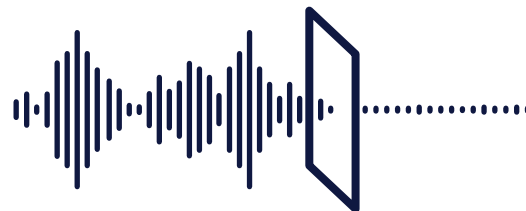
Two or more layers of foil between the panes of glass guarantee a desired resistance class. The higher the class, the harder it is to break the glass.



## ACOUSTIC INSULATION

Acoustic glass is used to spare the feeling of uneasiness about noise whenever it is not possible to eliminate its underlying cause.

One can improve acoustic insulation of a window by using a special acoustic layer or an asymmetrical glazing.



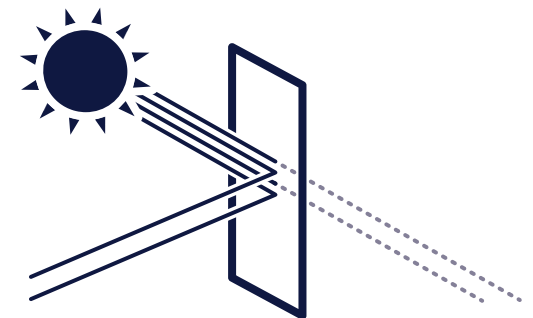
## SOLAR CONTROL

**Selective solar control glass - COOL-LITE** - reduces the amount of solar energy transmitted through the glass and so prevents the interior from overheating. Nevertheless, selective glass keeps up the light transmittance level, therefore it makes the room look brighter.

**Reflexive glass - stopsol, antelio** - colourless or body-tinted glass partly reflecting solar radiation. To a certain extent, the reflexive layer also reflects visible light and makes it harder to see what happens inside (under favourable lighting conditions). Moreover, coloured glass partly absorbs solar energy. Due to its colours, reflexive glass improves the appearance of a building.

**Absorptive glass - antisol, parsol, planibel** - body-tinted glass. In the process of partial absorption of solar energy, heat builds up within the glass. Then it is emitted back towards outside. Glass colour and thickness influences the amount of light transmittance.

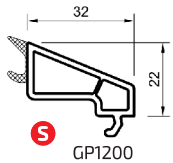
Faced with the choice of glass, one ought to keep in mind that coloured glass not only contributes to the attractiveness of façade, but also acts as a color gel visually altering the interior.



# System **Bluevolution 82**

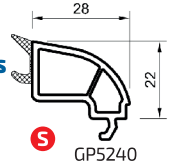
## GLAZING BARS

GLASS THICKNESS  
23 · 24 MM · 25

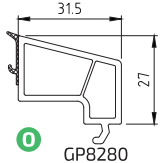


GP1200

GLASS THICKNESS  
27 · 28 MM · 29



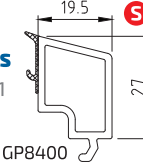
GP5240



GP8280

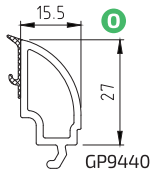
S / STANDARD O / OPTION

GLASS THICKNESS  
39 · 40 MM · 41

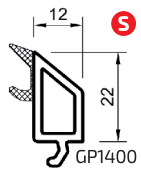


GP8400

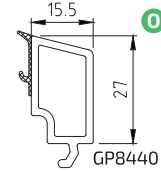
GLASS THICKNESS  
43 · 44 MM · 45



GP9440

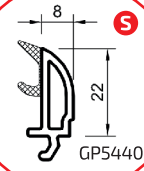


GP1400

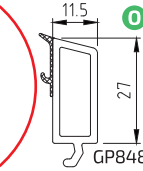


GP8440

GLASS THICKNESS  
47 · 48 MM · 49



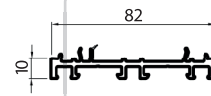
GP5440



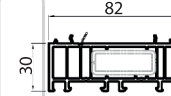
GP8480

STANDARD AT TERMO PROFIL

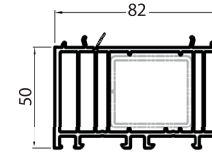
## EXTENSION PROFILES



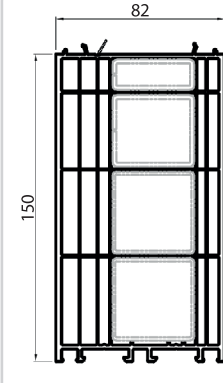
10 MM EXTENSION  
- NP8200



30 MM EXTENSION  
- NP8300



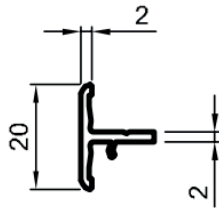
50 MM EXTENSION  
- NP8500



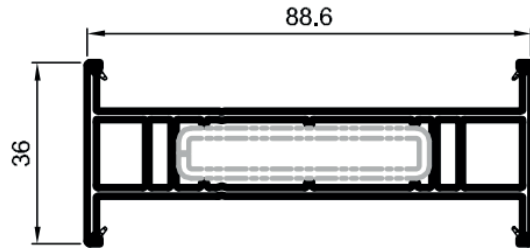
150 MM EXTENSION  
- NP8700

AVAILABLE EXTENSION PROFILES:  
WITH/WITHOUT REINFORCEMENTS, INSTALLED/UNINSTALLED

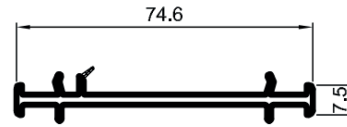
## COUPLINGS



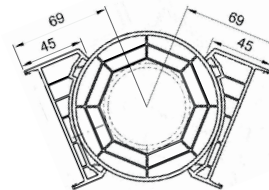
WINDOW COUPLING - NP0190



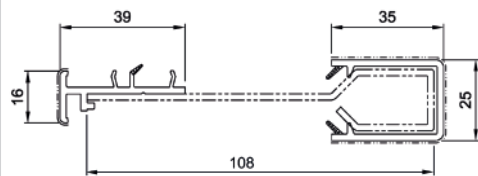
STATIC COUPLING - NP8170



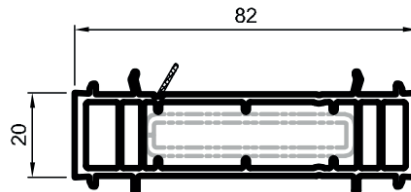
INTERNAL COUPLING - NP8110



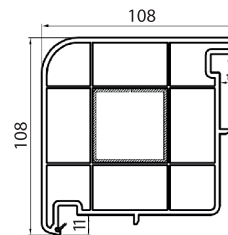
TUBULAR COUPLING - NP8160



FAÇADE STATIC COUPLING - NP8140

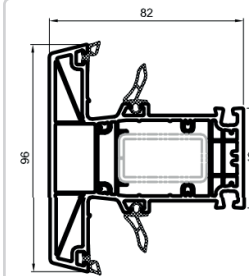


FLUSH COUPLING - NP8120

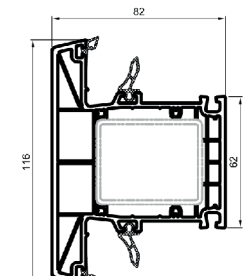


CORNER COUPLING - NP0100

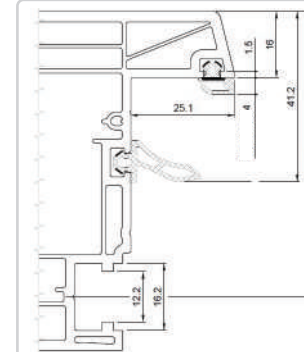
## MULLIONS



MULLION - H09320  
UP TO 1800 MM



MULLION - H09330  
ABOVE 1800 MM



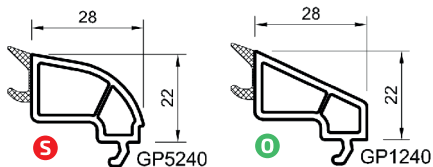
FALSE  
MULLION  
- H09800

# System **Bluevolution 73**

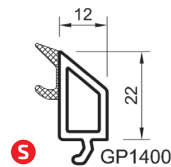
## GLAZING BARS

S / STANDARD O / OPTION

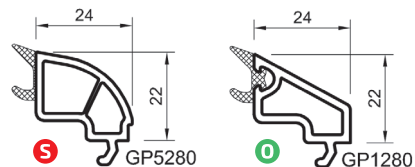
GLASS THICKNESS  
23 · 24 MM · 25



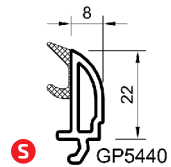
GLASS THICKNESS  
39 · 40 MM · 41



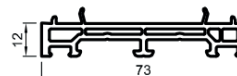
GLASS THICKNESS  
27 · 28 MM · 29



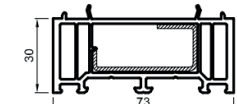
GLASS THICKNESS  
43 · 44 MM · 45



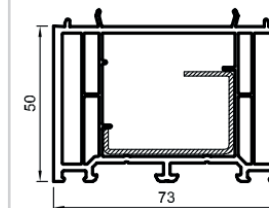
## EXTENSION PROFILES



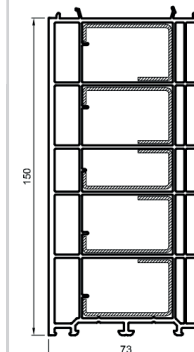
12 MM EXTENSION  
- NP1120



30 MM EXTENSION  
- NP1350



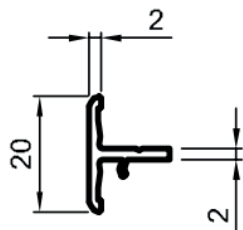
50 MM EXTENSION  
- NP1550



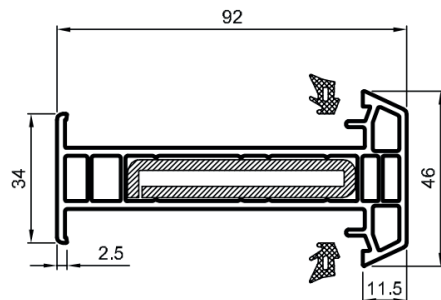
150 MM EXTENSION  
- NP3300

AVAILABLE EXTENSION PROFILES: WITH/WITHOUT REINFORCEMENTS, INSTALLED/UNINSTALLED

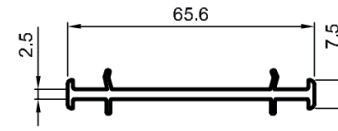
## COUPLINGS



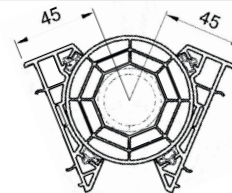
WINDOW COUPLING - NP0190



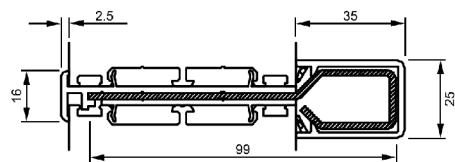
STATIC COUPLING - NP0130



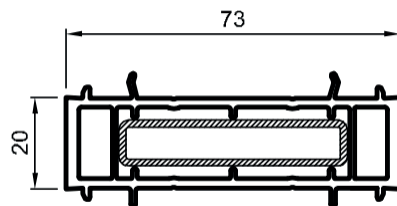
INTERNAL COUPLING - NP0110



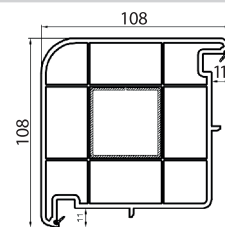
TUBULAR COUPLING - NP0160



FAÇADE STATIC COUPLING - NP0140

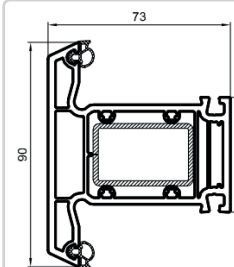


FLUSH COUPLING - NP0120

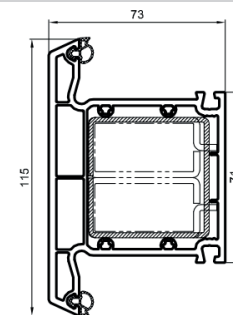


CORNER COUPLING - NP0100

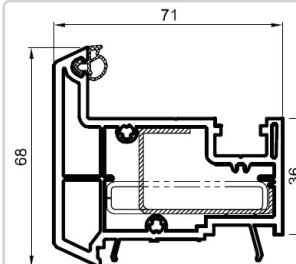
## MULLIONS



MULLION - HP3020  
UP TO 1800 MM



MULLION - HP3040  
ABOVE 1800 MM

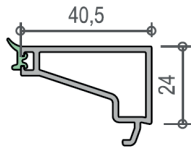


FALSE MULLION  
- HP3600



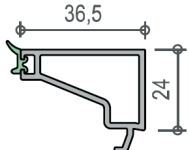
# System Termo Elegant

## GLAZING BARS



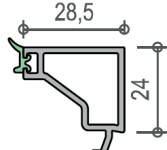
GP 20  
5316

**GLASS THICKNESS**  
23 · 24 MM · 25



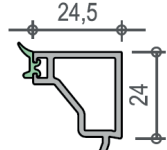
GP 24  
5315

**GLASS THICKNESS**  
31 · 32 MM · 33



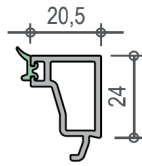
GP 32  
5313

**GLASS THICKNESS**  
35 · 36 MM · 37



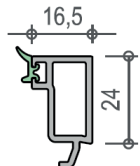
GP 36  
5312

**GLASS THICKNESS**  
39 · 40 MM · 41



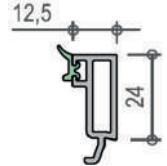
GP 40  
5311

**GLASS THICKNESS**  
43 · 44 MM · 45



GP 44  
5310

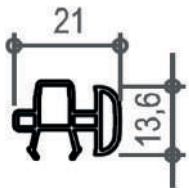
**GLASS THICKNESS**  
47 · 48 MM · 49



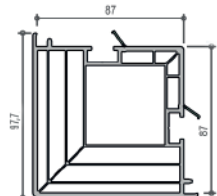
GP 48  
5309

**GLASS THICKNESS**  
51 · 52 MM · 53

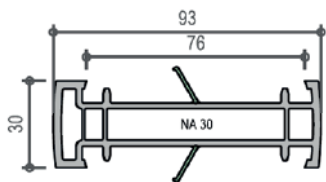
## COUPLINGS



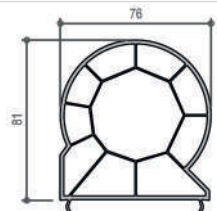
**WINDOW COUPLING** - 3310



**CORNER COUPLING** - 17081

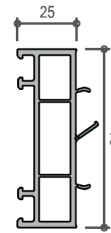


**STATIC COUPLING** - 14565

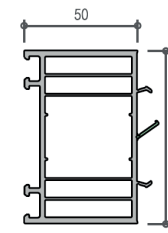


**TUBULAR COUPLING** - 57061

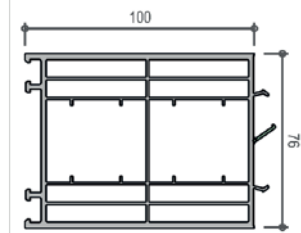
## EXTENSION PROFILES



**EXTENSION 25 MM**  
- 12157



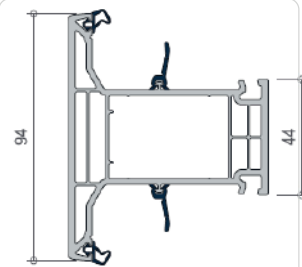
**EXTENSION 50 MM**  
- 5300



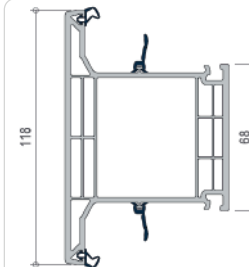
**EXTENSION 100 MM**  
- 5301

AVAILABLE EXTENSION PROFILES: 25, 50 mm and 100 mm INSTALLED/UNINSTALLED

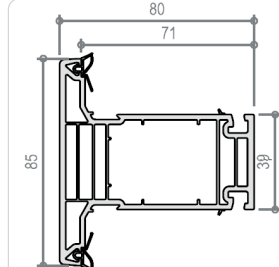
## MULLIONS



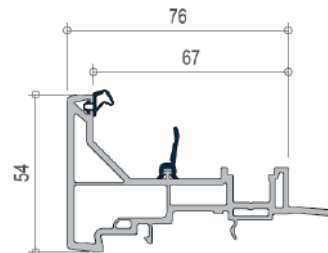
**MULLION FOR FRAME - UP TO 1800 MM**  
- 5125



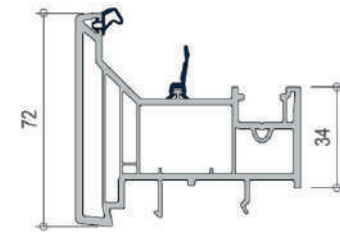
**MULLION FOR FRAME - ABOVE 1800 MM**  
- 5137



**MULLION FOR SASH**  
- 5126



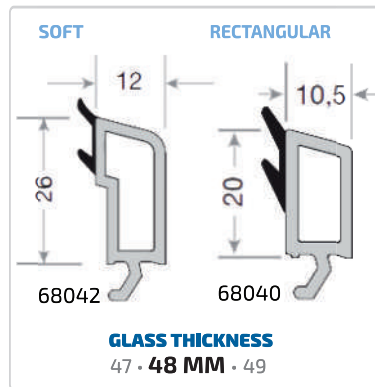
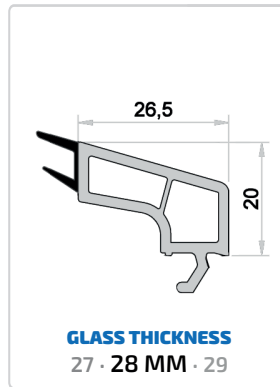
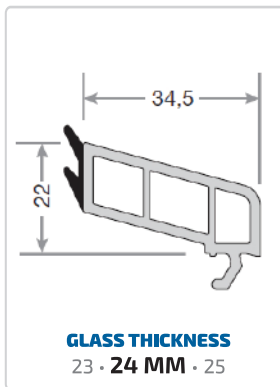
**FALSE MULLION**  
- 5178



**FALSE MULLION**  
- 5179

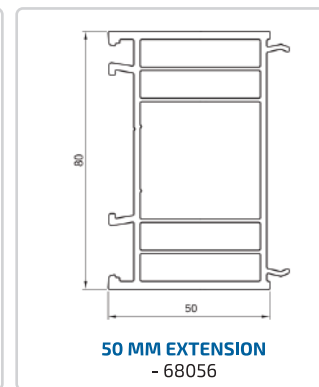
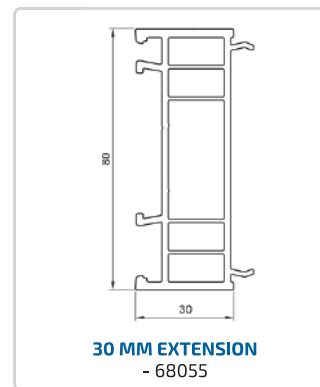
# System **Termo Evolution 80**

## GLAZING BARS



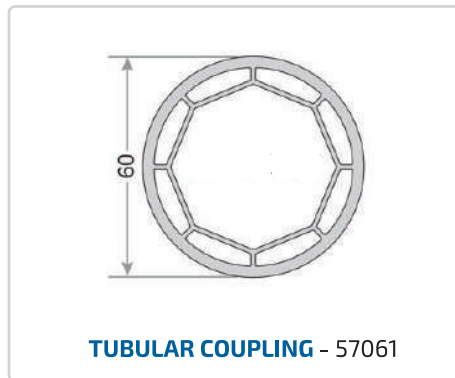
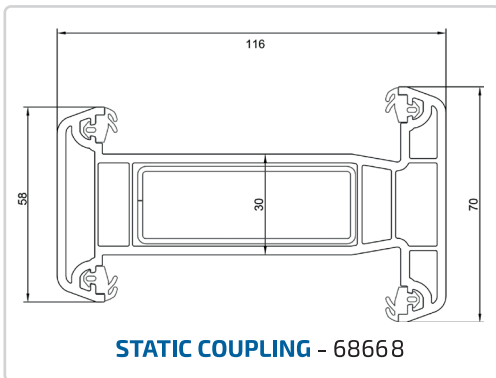
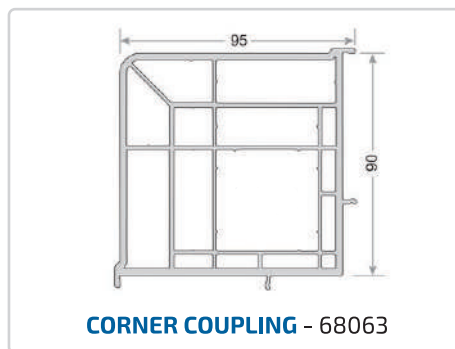
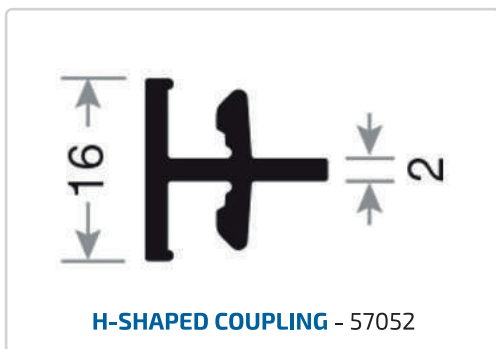
SOFT - USED FOR CONSTRUCTIONS WITH A FIXED GLAZING IN THE FRAME.

## EXTENSION PROFILES

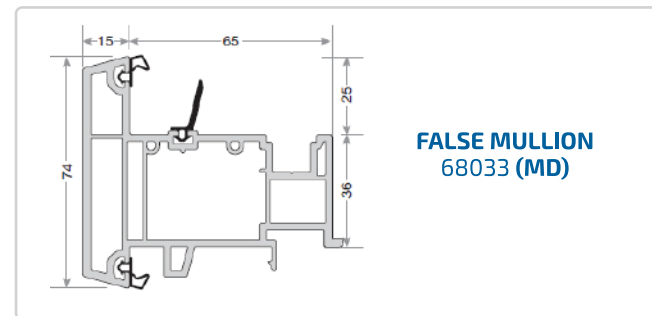
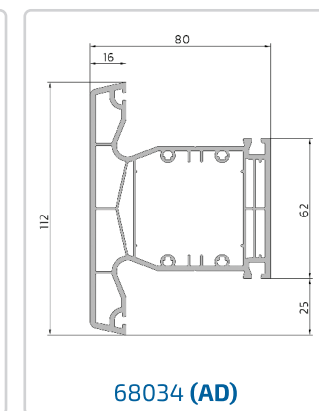
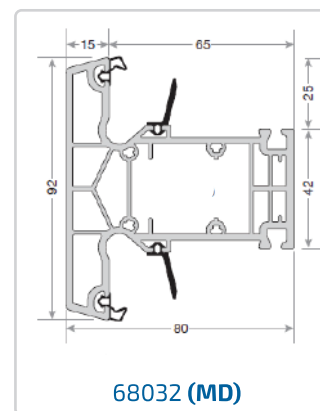


AVAILABLE EXTENSION PROFILES:  
30 MM & 50 MM INSTALLED / UNINSTALLED

## COUPLINGS



## MULLIONS



# Flat strips / Angles / Cover strips

## FLAT STRIPS

**Flat strips** from **PVC** for covering joints and ledges

Scope of application: **inside and outside**

### AVAILABLE WIDTHS:

- **Salamander:** 30 mm, 50 mm
- **Deceuninck:** 50 mm
- **Termo Evolution:** 30 mm, 60 mm



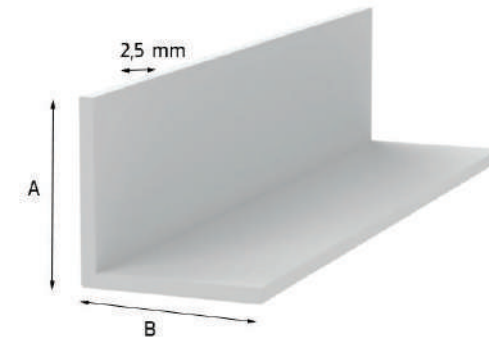
## ANGLES

**Angles** from **PVC** for covering joints and ledges

Scope of application: **inside and outside**

### AVAILABLE DIMENSIONS:

- **white:** 30x20x2,5 mm, 60x20x2,5 mm, 80x60x2,5 mm, 60x30x2,5 mm
- **color:** 60x40x2,5 mm



## COVER STRIPS

**Cover strips** made from **PVC** for the window joint, optionally with a vane

Scope of application: **inside and outside**

### AVAILABLE DIMENSIONS:

- **white:** 40/15 mm, 30/7 mm, 40/7 mm, 100/7 mm
- **color:** on request





WINDOWS

PROFILE	SYSTEM	NUMBER OF CHAMBERS	INSTALLATION DEPTH	U <sub>w</sub> -FACTOR	GLASS THICKNESS	NUMBER OF SEALS	CLASS A
SALAMANDER	Bluevolution 82	6-chamber profile	installation depth: <b>82 mm</b>	U <sub>w</sub> =0,76W/m <sup>2</sup> K U <sub>g</sub> = 0,5 W/m <sup>2</sup> K; warm edge • U <sub>f</sub> = 1,0 W/m <sup>2</sup> K for the reference window 1230x1480 mm; MD system	glass thickness: <b>24mm-48mm</b>	<b>MD system</b> (3 gaskets) <b>AD system</b> (2 gaskets)	<b>class A</b> (ARTLINE)
SALAMANDER	Renovation System Bluevolution 82	6-chamber profile	installation depth: <b>82 mm</b>	U <sub>w</sub> =0,76W/m <sup>2</sup> K U <sub>g</sub> = 0,5 W/m <sup>2</sup> K; warm edge • U <sub>f</sub> = 1,0 W/m <sup>2</sup> K for the reference window 1230x1480 mm	glass thickness: <b>24mm-48mm</b>	<b>MD system</b> (3 gaskets)	
SALAMANDER	Bluevolution 73	5-chamber profile	installation depth: <b>73 mm</b>	U <sub>w</sub> = 0,88 W/m <sup>2</sup> K U <sub>g</sub> = 0,5 W/m <sup>2</sup> K; warm edge • U <sub>f</sub> = 1,4 W/m <sup>2</sup> K for the reference window 1230x1480 mm	glass thickness: <b>24mm-44mm</b>	<b>AD system</b> (2 gaskets)	
SALAMANDER	Renovation system 35 Bluevolution 73	5-chamber profile	installation depth: <b>73 mm</b>	U <sub>w</sub> = 1,2 W/m <sup>2</sup> K U <sub>g</sub> = 1,0 W/m <sup>2</sup> K; warm edge • U <sub>f</sub> = 1,5 W/m <sup>2</sup> K for the reference window 1230x1480 mm	glass thickness: <b>24mm-44mm</b>	<b>AD system</b> (2 gaskets)	
SALAMANDER	Renovation system 58 Bluevolution 73	4-chamber profile	installation depth: <b>73 mm</b>	U <sub>w</sub> = 1,2 W/m <sup>2</sup> K U <sub>g</sub> = 1,0 W/m <sup>2</sup> K; warm edge • U <sub>f</sub> = 1,5 W/m <sup>2</sup> K for the reference window 1230x1480 mm	glass thickness: <b>24mm-44mm</b>	<b>AD system</b> (2 gaskets)	
DECEUNINCK	TERMO ELEGANT 76 PREMIUM	6-chamber profile	frame <b>76 mm</b> , sash <b>80 mm</b>	U <sub>w</sub> = 0,73 W/m <sup>2</sup> K U <sub>g</sub> = 0,5 W/m <sup>2</sup> K; warm edge • U <sub>f</sub> = 0,96 W/m <sup>2</sup> K for the reference window 1230x1480 mm	glass thickness: <b>24mm-52mm</b>	<b>MD system</b> (3 gaskets)	
DECEUNINCK	TERMO ELEGANT 76	6-chamber profile	frame <b>76 mm</b> , sash <b>80 mm</b>	U <sub>w</sub> = 0,74 W/m <sup>2</sup> K U <sub>g</sub> = 0,5 W/m <sup>2</sup> K; warm edge • U <sub>f</sub> = 1,00 W/m <sup>2</sup> K for the reference window 1230x1480 mm	glass thickness: <b>24mm-52mm</b>	<b>MD system</b> (3 gaskets)	
WITAL	Termo Evolution 80	6-chamber profile	installation depth: <b>80 mm</b>	U <sub>w</sub> =0,72W/m <sup>2</sup> K U <sub>g</sub> = 0,5 W/m <sup>2</sup> K; warm edge • U <sub>f</sub> = 1,0 W/m <sup>2</sup> K for the reference window 1230x1480 mm	glass thickness: <b>24mm-48mm</b>	<b>MD system</b> (3 gaskets)	
WITAL	Renovation System Termo Evolution	5-chamber profile	installation depth: <b>80 mm</b>	U <sub>w</sub> = 1,3 W/m <sup>2</sup> K U <sub>g</sub> = 1,0 W/m <sup>2</sup> K; warm edge • U <sub>f</sub> = 1,5 W/m <sup>2</sup> K for the reference window 1230x1480 mm	glass thickness: <b>24 mm, 28 mm, 48 mm</b>	<b>MD system</b> (3 gaskets)	

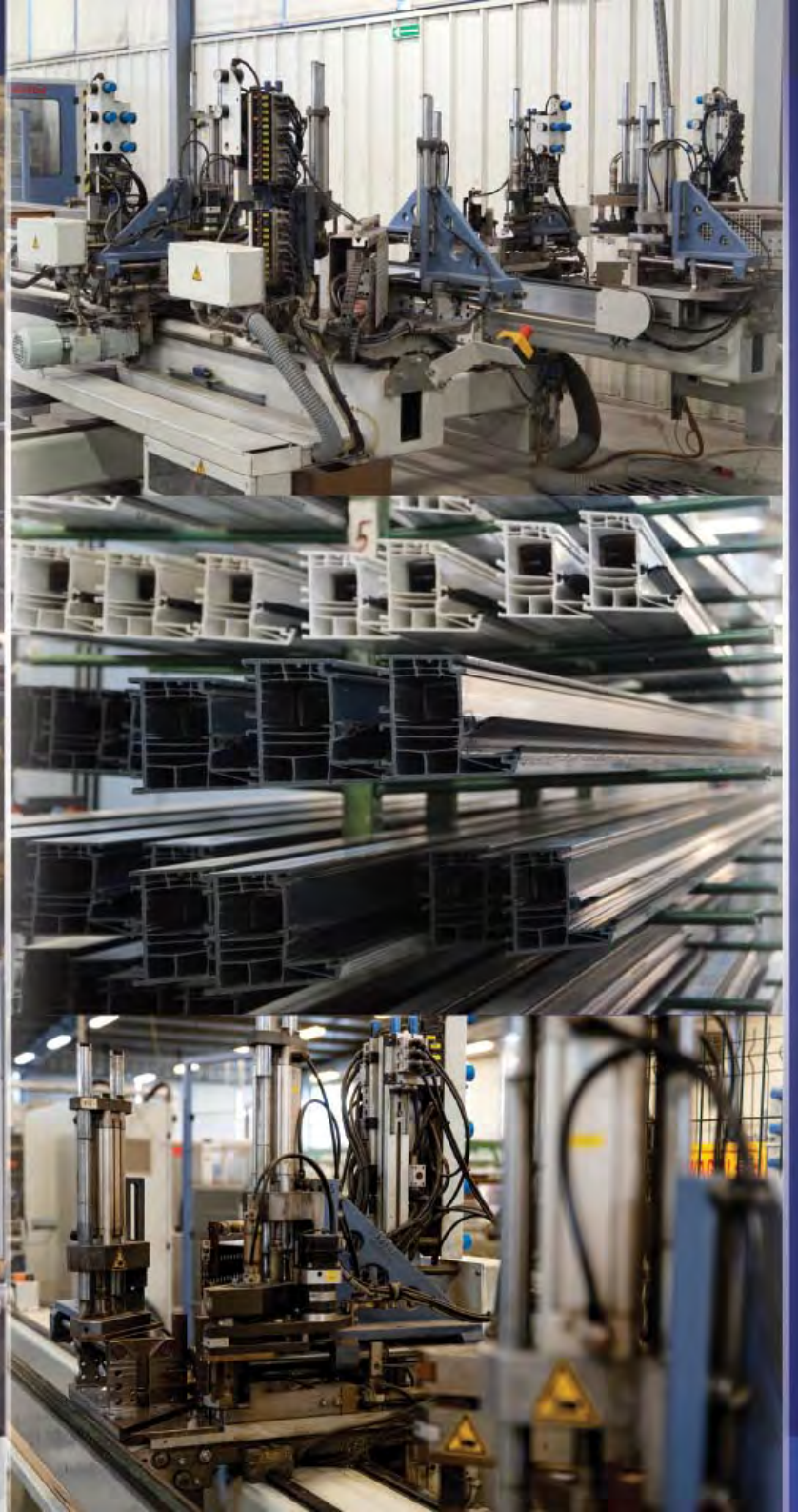
SLIDING SYSTEMS

PROFILE	SYSTEM	INSTALLATION DEPTH	U <sub>w</sub> -FACTOR	GLASS THICKNESS	SCHEMES	
WITAL	HST Termo Evolution	installation depth: <b>frame 190 mm, sash 80 mm</b>	U <sub>d</sub> = 0,74 W/m <sup>2</sup> K • U <sub>g</sub> = 0,5 W/m <sup>2</sup> K; warm edge • U <sub>f</sub> = 1,3 W/m <sup>2</sup> K for the reference window 4000x2300 mm	glass thickness: <b>48mm</b>	SCHEME A	
SALAMANDER	HST Salamander	installation depth: <b>frame 194 mm, sash 82 mm</b>	U <sub>w</sub> = 0,73 W/m <sup>2</sup> K • U <sub>g</sub> = 0,5 W/m <sup>2</sup> K; warm edge • U <sub>f</sub> = 1,3 W/m <sup>2</sup> K for the reference window 4800x2500 mm	glass thickness: <b>24mm-48mm</b>	SCHEME A	SCHEME C
SALAMANDER	evolution Drive Plus+	installation depth: <b>frame 152 mm, sash 76 mm</b>	U <sub>w</sub> = 0,69 W/m <sup>2</sup> K • U <sub>g</sub> = 0,5 W/m <sup>2</sup> K; warm edge • U <sub>f</sub> = 1,3 W/m <sup>2</sup> K for the reference window 3460X2600 mm	glass thickness: <b>24mm-48mm</b>	SCHEME A	
DECEUNINCK	HST Termo Elegant	installation depth: <b>frame 175 mm, sash 76 mm</b>	U <sub>w</sub> = 0,75 W/m <sup>2</sup> K • U <sub>g</sub> = 0,5 W/m <sup>2</sup> K; warm edge • U <sub>f</sub> = 1,4 W/m <sup>2</sup> K for the reference window 4800x2500 mm	glass thickness: <b>24mm-52mm</b>	SCHEME A	
SALAMANDER	eDrive	installation depth: <b>frame 76 mm, sash 50 mm</b>	U <sub>w</sub> = 1,2 W/m <sup>2</sup> K • U <sub>g</sub> = 1,0 W/m <sup>2</sup> K; warm edge • U <sub>f</sub> = 1,8 W/m <sup>2</sup> K for the reference window 3500x2480 mm	glass thickness: <b>24mm-28mm</b>	SCHEME A	SCHEME D

DOORS

PROFILE	SYSTEM	NUMBER OF CHAMBERS	INSTALLATION DEPTH	U <sub>w</sub> -FACTOR	GLASS THICKNESS	NUMBER OF SEALS	DRIVE ROD	LOCKING	HINGES
SALAMANDER	Bluevolution 82	<b>6 chambers</b> in frame <b>5 chambers</b> in sash	installation depth: <b>82 mm</b>	U <sub>d</sub> = 0,83 2 W/m <sup>2</sup> K U <sub>g</sub> = 0,5 W/m <sup>2</sup> K; termo ramka U <sub>f</sub> =1,1 W/m <sup>2</sup> K for the reference window 1230x2180 mm	glass thickness: <b>24mm-48mm</b>	<b>MD system</b> (3 gaskets) <b>AD system</b> (2 gaskets)	<b>standard</b> or <b>automatic</b> drive rod	<b>locked with 3</b> massive hooks	<b>standard</b> or <b>concealed</b> hinges
SALAMANDER	Bluevolution 73	<b>5 chambers</b> in frame <b>4 chambers</b> in sash	installation depth: <b>73 mm</b>	U <sub>d</sub> = 1,0 2 W/m <sup>2</sup> K U <sub>g</sub> = 0,5 W/m <sup>2</sup> K; termo ramka U <sub>f</sub> =1,5 W/m <sup>2</sup> K for the reference window 1230x2180 mm	glass thickness: <b>24mm-44mm</b>	<b>AD system</b> (2 gaskets)	<b>standard</b> or <b>automatic</b> drive rod	<b>locked with 3</b> massive hooks	<b>standard</b> hinges
DECEUNINCK	TERMO ELEGANT 76	<b>6 chambers</b> in frame <b>5 chambers</b> in sash	installation depth: <b>76 mm</b>	U <sub>d</sub> =0,90 W/m <sup>2</sup> K U <sub>g</sub> = 0,5 W/m <sup>2</sup> K; termo ramka U <sub>f</sub> =1,5 W/m <sup>2</sup> K for the reference window 1230x2180 mm	glass thickness: <b>24mm-52mm</b>	<b>MD system</b> (3 gaskets)	<b>standard</b> or <b>automatic</b> drive rod	<b>locked with 3</b> massive hooks	<b>standard</b> hinges
WITAL	Termo Evolution 80	<b>5-chamber</b> profile	installation depth: <b>80 mm</b>	U <sub>d</sub> = 0,93 2 W/m <sup>2</sup> K U <sub>g</sub> = 0,5 W/m <sup>2</sup> K; termo ramka U <sub>f</sub> =1,2 W/m <sup>2</sup> K for the reference window 1230x2180 mm	glass thickness: <b>24mm-48mm</b>	<b>MD system</b> (3 gaskets)	<b>standard</b> or <b>automatic</b> drive rod	<b>locked with 3</b> massive hooks	<b>standard</b> or <b>concealed</b> hinges









# TERMO PROFIL

Y O U R • W I N D O W • T O • T H E • W O R L D

Visit our webpage: [www.termoprofil.eu](http://www.termoprofil.eu) and join us on **Facebook** 

Due to the limitations to printing technology, the colours of the images may diverge from the original | **TERMO/06/2021/EN**